



# Veraview IC5 HD

High definition, digital imaging excellence

Thinking ahead. Focused on life.



Veraview ICS Plus

Thinking ahead.



Focused on life.



# IC5 HD – Ultra-fast Panoramic Images with Outstanding Resolution

**For dental radiology image clarity and detail are essential for making a correct diagnosis. Veraview IC5 HD is the next generation panoramic X-ray machine that will give you digital exposures with outstanding image clarity, contrast, and resolution at a super high speed. The High Speed exposure takes only 5.5 seconds and therefore gives the patient a very low dose. The High Speed Mode in combination with the new High Definition Mode will fill all your panoramic imaging needs.**

Equipped with cutting-edge technology, like automatic exposure control and automatic image enhancement, and efficient positioning, dental imaging has never been easier.

Veraview IC5 HD forms a harmonious balance between user-friendly handling and technological innovation, allowing you to conduct examinations efficiently without any sacrifice.

## Features at a glance:

### **Industry-best exposure time\***

Extremely fast 5.5 second panoramic with significantly lower dosage.

### **High definition**

New and improved definition of 96 µm (10-second scan) for the ultimate high-definition image.

### **Class-leading clarity**

DDAE (Digital Direct Auto Exposure) and AIE (Auto Image Enhancement) functions provide sharp and clear images.

### **Quick and easy patient positioning**

With integrated triple laser beam alignment.

### **Fully automatic simplified operation**

Simply select the desired program: Panoramic, TMJ or PEDO. In addition, no parameter setting is required.

### **Digital technology**

No film or film development required.

### **Low power consumption**

Lightweight and compact design.

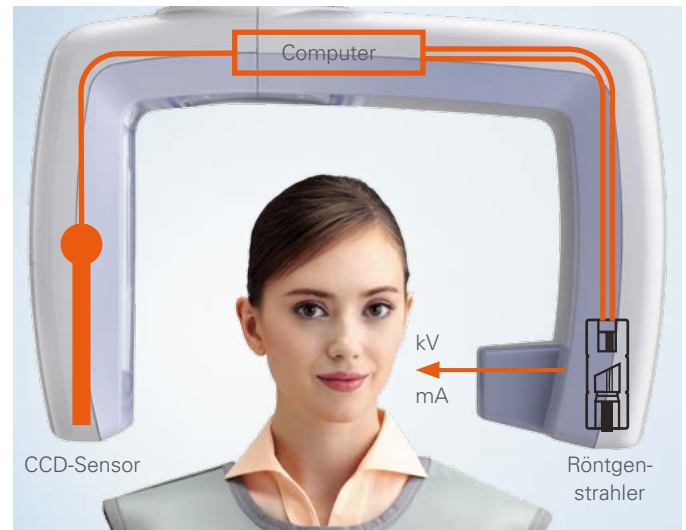
\* as of January 2016

# High-Quality Images

## Digital Direct Automatic Exposure (DDAE)

DDAE controls the X-ray tube current (mA) simultaneously by detecting X-rays passing through the patient. This improves the dynamic range, and, along with Automatic Exposure (AE), results in exceptionally clear images with the best possible contrast and even density. The automatic exposure level can be adjusted to meet your individual requirements.

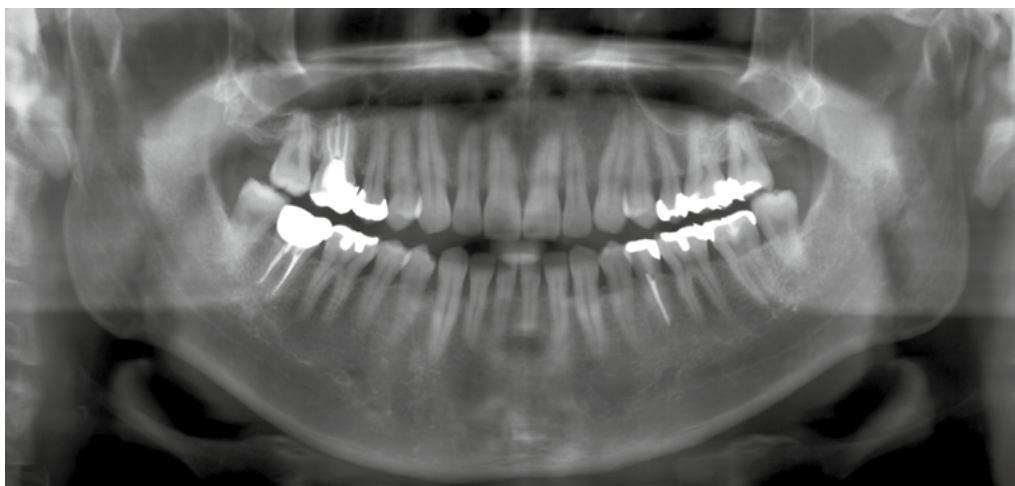
There is no need to set tube voltage or current. Auto exposure (DDAE) provides the optimum exposure conditions with a maximum tube current of 7.5 mA.



## High speed

With an industry-best exposure time\* of 5.5 seconds, the Veraview IC5 HD is not only significantly faster than conventional film-based panoramic systems, but also requires much less radiation.

High speed:  
only 5.5 seconds, 192  $\mu\text{m}$ ,  
1/6\*\* X-ray exposure.



## High definition

Pixel size is reduced 25 % compared with the former model, so it produces superior images of a higher resolution.

High definition:  
10 seconds exposure, 96  $\mu\text{m}$

\* as of January 2016

\*\* Compared to a standard panorama image using film and made by Morita's Veraviewepocs (16 seconds, 75 kV, & 9 mA)

# Quick & Easy Patient Positioning and Operation

**Power-assisted lift makes patient positioning easier than ever. No need to set exposure value and current.**



## **Power-assisted movement**

The motor-assisted lift system with slow-start and slow-stop function provides the easy and accurate height adjustment. The overload detector will automatically halt the elevation for the patient safety.



## **Triple laser beam for easy positioning**

Veraview IC5 HD utilizes three lasers that align the Frankfurt plane, the mid-sagittal plane and the image layer, making patient positioning very easy.

## **Direct current for optimum efficiency and safety**

Direct current produces high energy X-rays, thereby reducing the soft X-rays which are absorbed by the human body during the exposure. Also, the primary slit of Veraview IC5 HD is narrower. The image has a wider image layer, providing greater detail.



## **Fully automatic X-ray loading factor**

X-ray exposures require no kV or mA parameter settings. Simply select the desired program: Panorama, TMJ or PEDO.



Manually adjustable bite block/chinrest for the patient positioning.



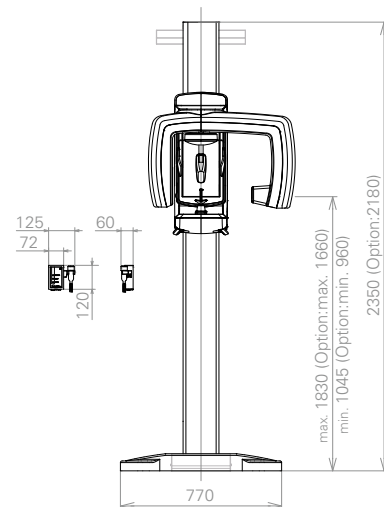
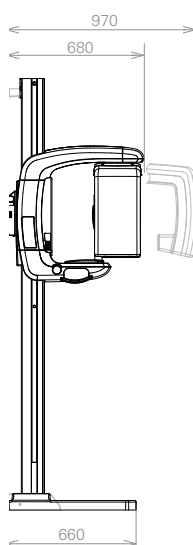
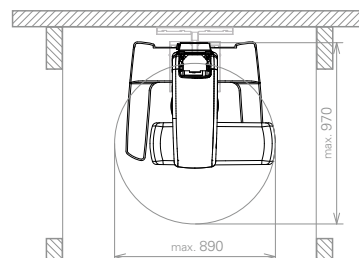
Chin rest cup is available for patients with TMJ disorder.

# Specifications and Dimensions

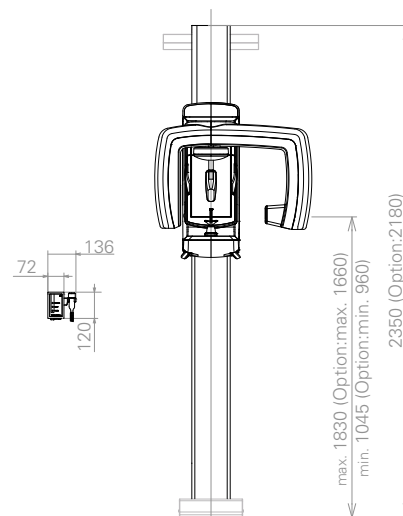
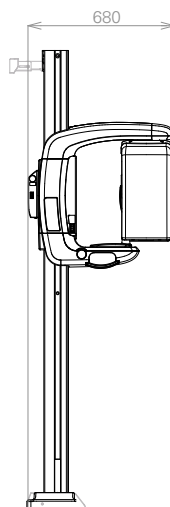
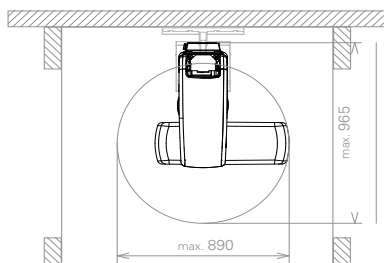
## Veraview IC5 HD · Specifications

Trade name	Veraview IC5 HD		
Model	XDP1		
Input voltage	AC100 V/115 V/120 V	(Ex-1)	
	220 V/230 V/240 V	(Ex-2)	
X-ray head (DC Inverter)			
Power consumption	0.85 kVA		
Operating tube voltage	60- 70 kV	Automatic control	
Operating tube current	1- 7.5 mA	Automatic control	
Filament	Preheated		
Rectification	Direct current		
Cooling	Oil cooling		
Tube focal area	0.5 mm		
Exposure time	High Speed Mode: 5.5 sec./192 μm High Definition Mode: 10 sec./96 μm		
Light beams	Mid-sagittal plane, Frankfurt plane Image layer light beam		
Emission switch	Deadman type		
Outer dimensions			
Body dimension	W 890 x D 970 x H 2350 mm		
Control box dimension	W 125 x D 60 x H 120 mm		
Required installation area	0.86 m <sup>2</sup> (8.7 sq. ft.)		
Weight	Approx. 110 kg (242.5 lb.)		

## Veraview IC5 HD Self Standing Type



## Veraview IC5 HD Wall-mounted Type

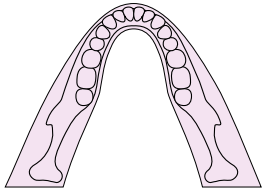




# High-Quality Images

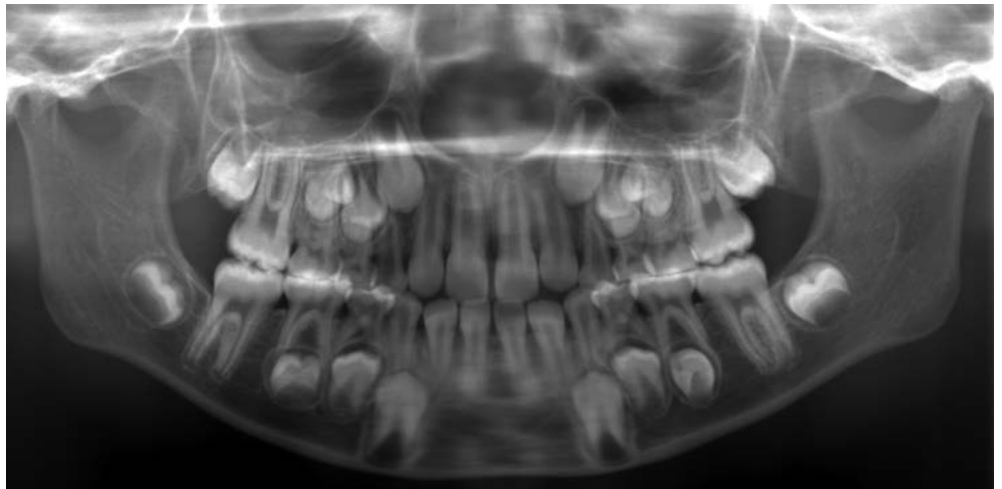
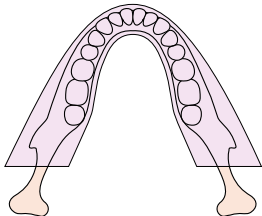
## Standard panoramic

Clear, sharp images with a wide image layer. The thick, specifically designed image layer accommodates all possible variations of dental arch shapes and sizes to produce extremely clear and sharp images.



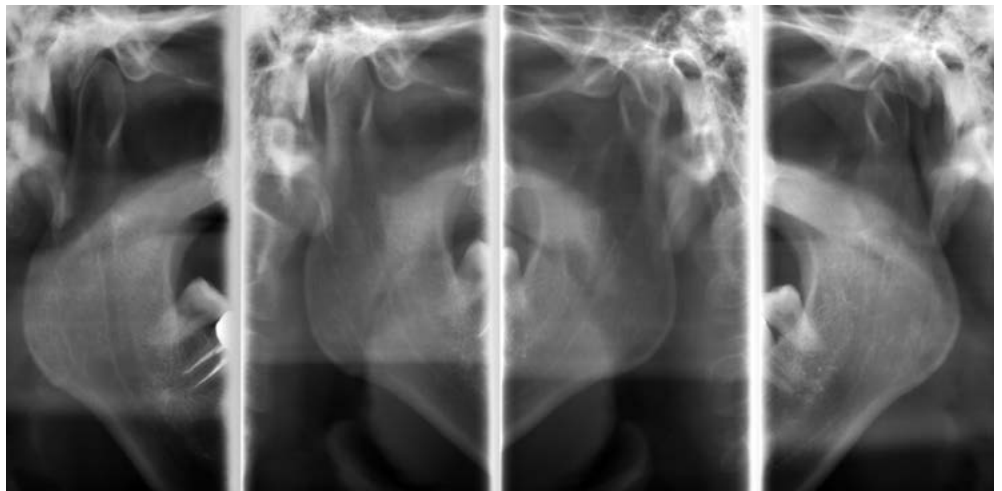
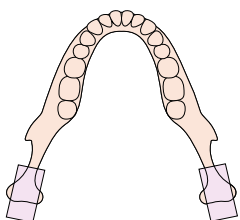
## Pedodontic panoramic at reduced radiation

For examinations of children or people with small jaws, the rotation range of the arm is diminished, thereby further reducing radiation exposure.



## TMJ quadruple exposures: For open and closed condyle views

Four separate shots of condyle fit onto one image. In each case, two sets of rotation for left and right condyle head for open and closed condition.



Diagnostic and Imaging Equipment

Treatment Units

Handpieces and Instruments

Endodontic Systems

Laser Equipment

Laboratory Devices



Distributed by

**J. Morita Europe GmbH**

Justus-von-Liebig-Str. 27a

63128 Dietzenbach

Germany

T +49. 6074. 836 0, F +49. 6074. 836 299

[www.morita.com/europe](http://www.morita.com/europe)

Developed and manufactured by

**J. MORITA MFG. CORP.**

680 Higashihama Minami-cho, Fushimi-ku

Kyoto 612-8533

Japan

T +81. 75. 611 2141, F +81. 75. 622 4595

[www.morita.com](http://www.morita.com)