

Tamson Thermostatic Unit -A

Stirring, circulating, cooling coil



- ⊕ **Stainless steel**
- ⊕ **Safety Thermostat**
- ⊕ **Standard RS232 interface**
- ⊕ **Easy to operate**
- ⊕ **Low noise**
- ⊕ **Fluid level detection**

General

Tamson offers thermostatic heads as replacement unit or a "plug and play" unit to heat a bath or application.

Configuration

A choice for different applications is offered:





- Stirring with short or long shaft
- Heating with or without boost heater
- Circulating and pumping
- Below ambient temperature regulation using cooling coil

Accuracy

The setpoint is adjustable in steps of 0.01°. The overall system accuracy is better than ±0.02°K but depends on the application.

Temperature readout

Readout can be switched between °C or °F. Internal circuit. Models 19T310 and 19T311 are equipped with pump and offer 300 mBar and 7 ltrs per minute flow (no counter pressure).

Item	Unit	TTU-A	
Range ordering		ambient ..+200°C ambient .. +392°F	
Reading	°C or °F	menu selectable	
Interface	RS232		
Setting ±	[°C/F]	0.01	
Stability *	[°K]	min/max ±0.01	
Uniformity *	[°K]	min/max ±0.01	
		19T1010 230V 50~60Hz	19T1011 115V 60Hz
		1,4kW control heater Long shaft Stirring Cooling coil	
		19T1020 230V 50~60Hz	19T1021 115V 60Hz
		1,4kW control heater 1,4kW boost heater Long shaft Stirring Boost heater	
		19T3110 230V 50~60Hz	19T3111 115V 60Hz
		1,4kW control heater Short shaft Stirring and pump	
		19T3120 230V 50~60Hz	19T3121 115V 60Hz
		1,4kW control heater 1,4kW boost heater Short shaft Stirring	
CE	All models conform to CE regulation		

Safety

The bath has a standard built in mechanical over temperature protection as an independent safety feature. In case of electronic failure, the bath will be mechanically switched off when the temperature rises above the set temperature on this protection device.

* Best performance to be achieved under following circumstances measured with long shaft, bath fluid water @ 40 .. 50, double insulated bath, use of baffle plates.

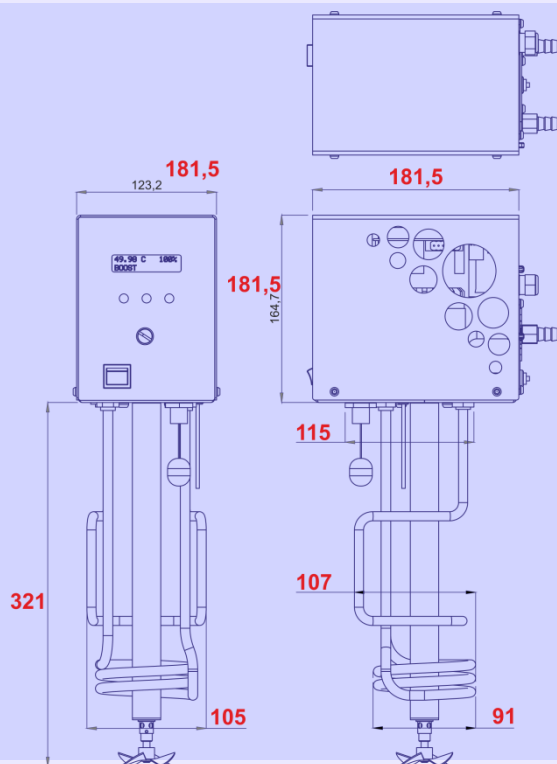
Tamson Thermostatic Unit -A

Stirring, circulating, cooling coil

19T1010 / 19T1011



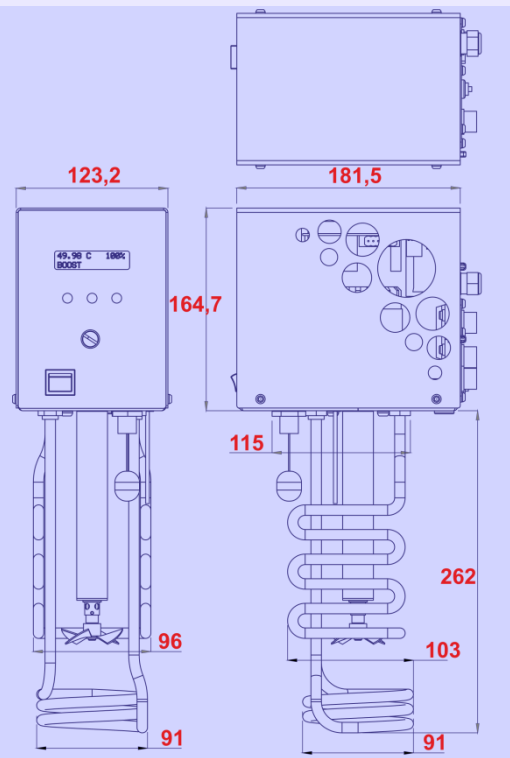
Dimensions in mm



19T1020 / 19T1021



Dimensions in mm



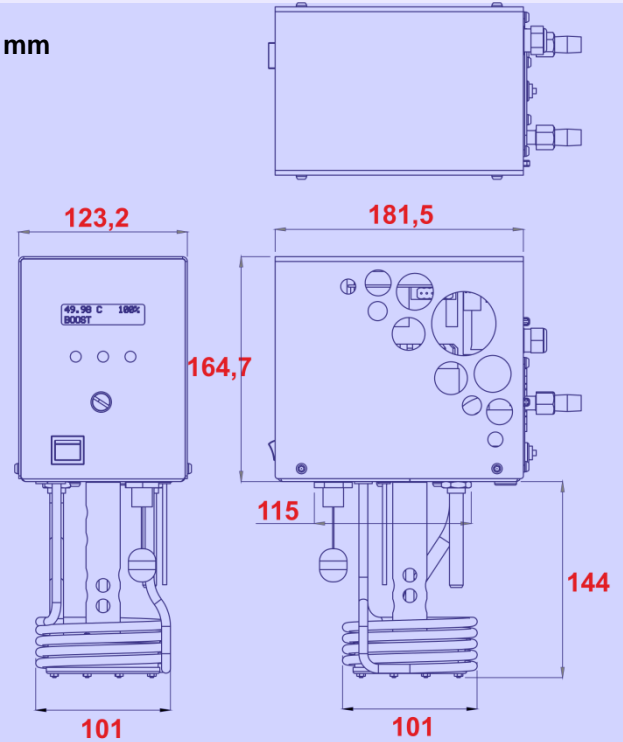
Tamson Thermostatic Unit -A

Stirring, circulating, cooling coil

19T3110 / 19T3111



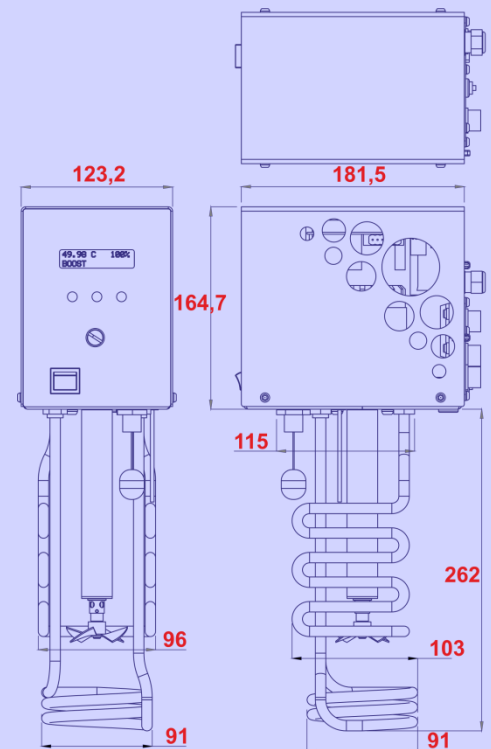
Dimensions in mm



19T3120 / 19T3121



Dimensions in mm

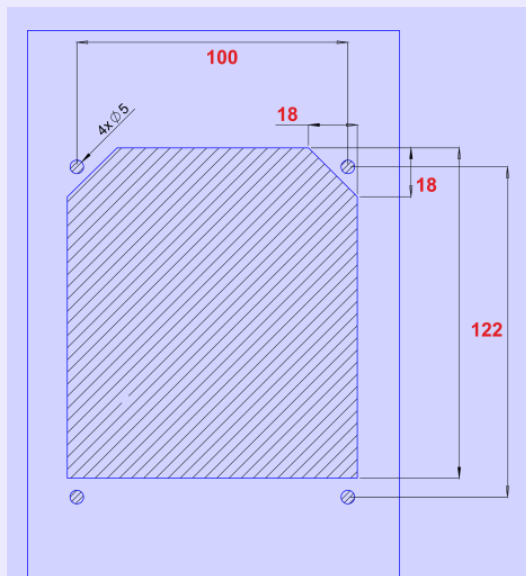
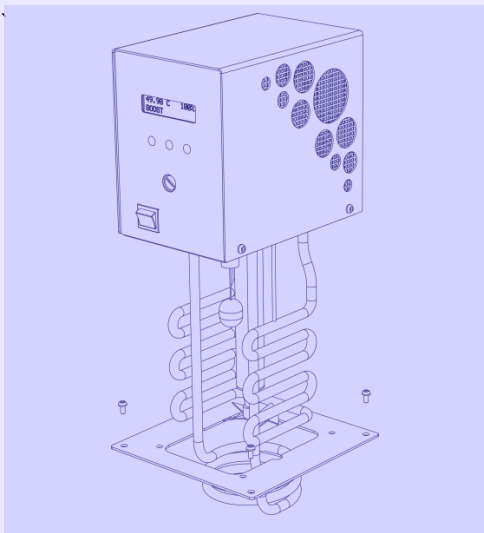


Tamson Thermostatic Unit -A

Stirring, circulating, cooling coil

Adapter panel

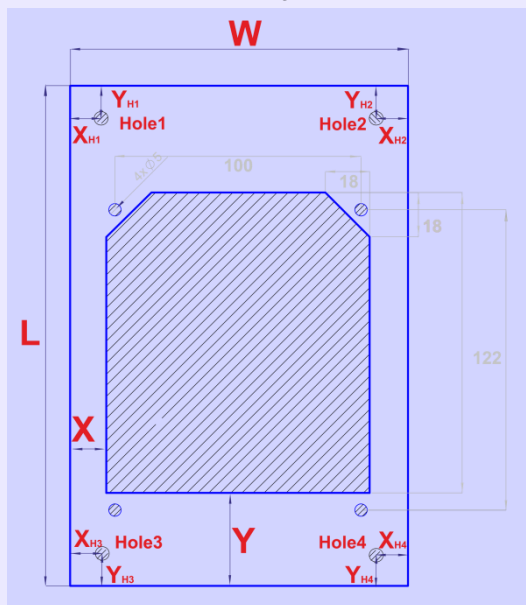
The TTU model can be used stand-alone in an user application. The opening area and mounting dimensions are indicated below



Customized adaptor panel.

The TTU can be used for replacement of existing thermostatic heads. In order to to mounting the TTU as a replacement a customized and using existing holes for mounting, a adaptor panel can be ordered. Make sure the unit fits through the standard mounting hole and use the table to define the dimensions of this custom made adaptor panel. The panel will be laser cut and is made of 304 stainless steel with a protective foil at one side. This foil prevents scratches and must be removed when placing the panel.

Item		Specify in mm
Outside dimensions adapter plate		
Width (W)	mm	
Length (L)	mm	
Dimension mounding holes (4)		
Diameter hole 1	mm	
Distance (X _{H1})	mm	
Distance (Y _{H1})	mm	
Diameter hole 2	mm	
Distance (X _{H2})	mm	
Distance(Y _{H2})	mm	
Diameter hole 3	mm	
Distance (X _{H3})	mm	
Distance(Y _{H3})	mm	
Diameter hole 4	mm	
Distance (X _{H4})	mm	
Distance(Y _{H4})	mm	
Position thermostat hole		
Distance horizontal (X)	mm	
Distance vertical (Y)	mm	





Tamson Instruments

Specification sheet

FTU-A



Tamson Instruments bv



31 105 22 43 73



info@tamson.com



www.tamson.com

Rev 1.01 - "15