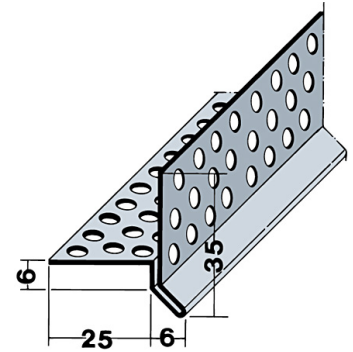


PRODUCT DATA SHEET

Version: 20.07.2015 | 13:02 h

ITEM NO. 9011

Description	Water drip profile for thermal insulation system
Specification	Water drip profiles for the execution of a clean finish with insulated attic realisation or balcony sublayers.
Product Group	Plasterprofiles Thermal insulation systems
Product Category	Base rails profiles
Plaster Thickness	6 mm
Material	aluminium
Norm	EN 14195
Colour	aluminium
Reaction to Fire	A1
Length	250 cm
Package	20 piece



The present product sheet shows the current state of development of our products: with the publication of a new version this is no longer valid. Ensure that you always are using the most recent version of this information. Guarantees and liability upon delivery are defined in our general Terms of Business. Please follow the guidelines for use, fitting and siting. All information is subject to change.

Tender documents, fitting instructions and declarations of performance (where legally required) can all be found on our website. For the sake of the environment, please dispose of correctly!