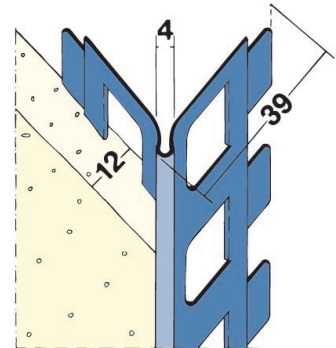


# PRODUCT DATA SHEET

Version: 26.11.2015 | 15:42 h

ITEM NO. 2212

<b>Description</b>	corner beads interior plaster
<b>Specification</b>	Corner bead, for use on plaster, in damp or wet areas, or on render.
<b>Product Group</b>	Plasterprofiles   Exterior plaster profiles Plasterprofiles   Interior plaster profiles
<b>Product Category</b>	Corner beads
<b>Plaster Thickness</b>	12 mm
<b>Material</b>	stainless steel
<b>Norm</b>	EN 13658-2
<b>Reaction to Fire</b>	A1
<b>Length</b>	300 cm
<b>Package</b>	15 piece



The present product sheet shows the current state of development of our products: with the publication of a new version this is no longer valid. Ensure that you always are using the most recent version of this information. Guarantees and liability upon delivery are defined in our general Terms of Business. Please follow the guidelines for use, fitting and siting. All information is subject to change.

Tender documents, fitting instructions and declarations of performance (where legally required) can all be found on our website. For the sake of the environment, please dispose of correctly!

**PROTEKTORWERK**  
Florenz Maisch GmbH & Co. KG  
Postfach 1420, D-76554 Gaggenau  
Viktoriastr. 58, D-76571 Gaggenau

Tel.: +49 7225 977 - 0  
Fax: +49 7225 9 77 - 111  
info@protektor.com  
www.protektor.com



PROFILE FÜR  
MODERNES  
BAUEN