



# Highest Grade Lever Hoist YA

**Strongest Load chain ever  
than before ♪ B39 VH**

YA is equipped with new developed  
load chain Grade +V (plus V) 105kgf/mm<sup>2</sup>.

**Improved shape of lever**  
Round shape lever handle  
brings easy operation.

*Round-shape lever*



Patent and copyright registered.

**Safety factor 5 times**

Load chain, hooks, braking parts  
have 5 times safety factor.  
(0.8t~1.6t)

Model	Capacity	Load chain Min. breaking load	Safety factor
YA-80	0.8t	5.4t	6.8
YA-100	1 t	5.4t	5.4
YA-160	1.6t	8.6t	5.4
YA-320	3.2t	13.4t	4.2
YA-630	6.3t	26.8t	4.3
YA-900	9 t	40.2t	4.5

※ In case of normal & vertical pulling

**Stronger hook  
and safety latch**

Tip-supporting safety latch  
brings easy handling.

*Safety latch and  
unique hook shape*



**Single action  
free spooling**

When loading,  
automatically brakes.

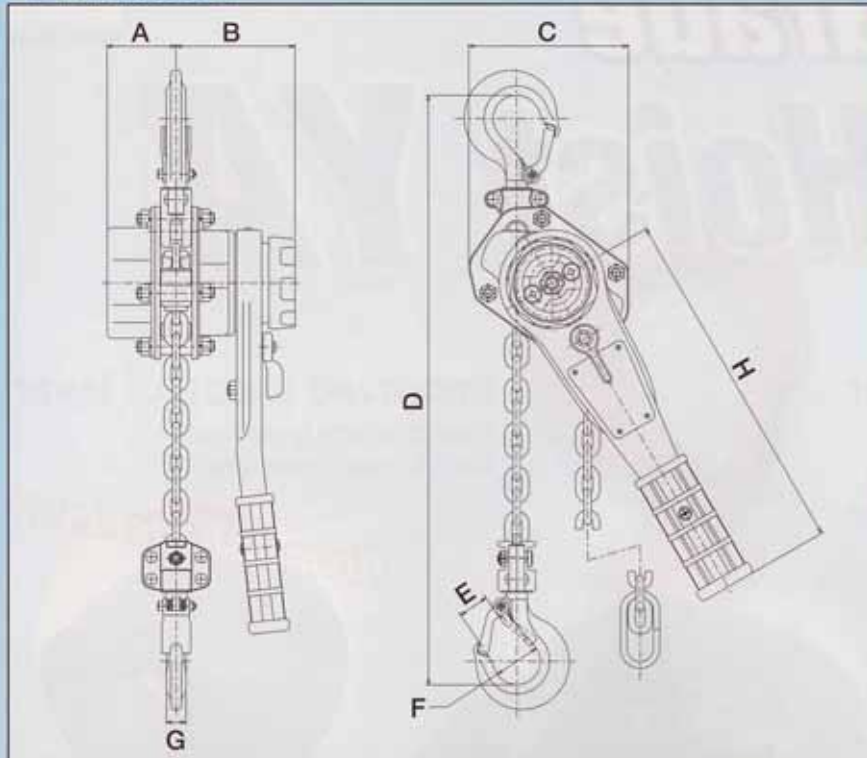


## ELEPHANT

Specialized manufacturer of highest grade hoist chain

♪ B39 VH, VHC ♪39 DAT

## ■Dimensions



Model	A	B	C	D	E	F	G	H
YA-80	53	91	122	290	23	36	15	268
YA-100	53	91	122	312	28	43	16	268
YA-160	63	99	136	352	29	43	21	310
YA-320	82.5	104	180	411	36	53	28	310
YA-630	82.5	104	235	564	47	70	34	310
YA-900	82.5	104	300	689	73	85	47.5	310

## ■Specifications

Model	Capacity	Standard lift	Hand effort to lift full working load	Diameter of load chain	Net weight
YA-80	0.8 t	1.5m	30kgf	5.6mm	6.0kg
YA-100	1 t	1.5m	37kgf	5.6mm	6.2kg
YA-160	1.6 t	1.5m	30kgf	7.1mm	9.2kg
YA-320	3.2 t	1.5m	37kgf	9mm	15.5kg
YA-630	6.3 t	1.5m	38kgf	9mm×2	26.5kg
YA-900	9 t	1.5m	39kgf	9mm×3	42kg

Features and performances of the product described in this catalogue are designed for their own intended purpose. ELEPHANT will not be held liable for any malfunction, lack of performance or accident if the product is being used in conjunction with any other equipment.

If the product is to be used for unintended purpose, please confirm with your dealer in advance.

All specifications herein are subject to change without notice.



**ELEPHANT CHAIN BLOCK CO.,LTD.**

180, Iwamuro 2-chome, Osaka-sayama city, Osaka, 589-8502, Japan

E-mail : [elp\\_trade@elephant.co.jp](mailto:elp_trade@elephant.co.jp)

URL <http://www.elephant.co.jp/english/index.html>

