

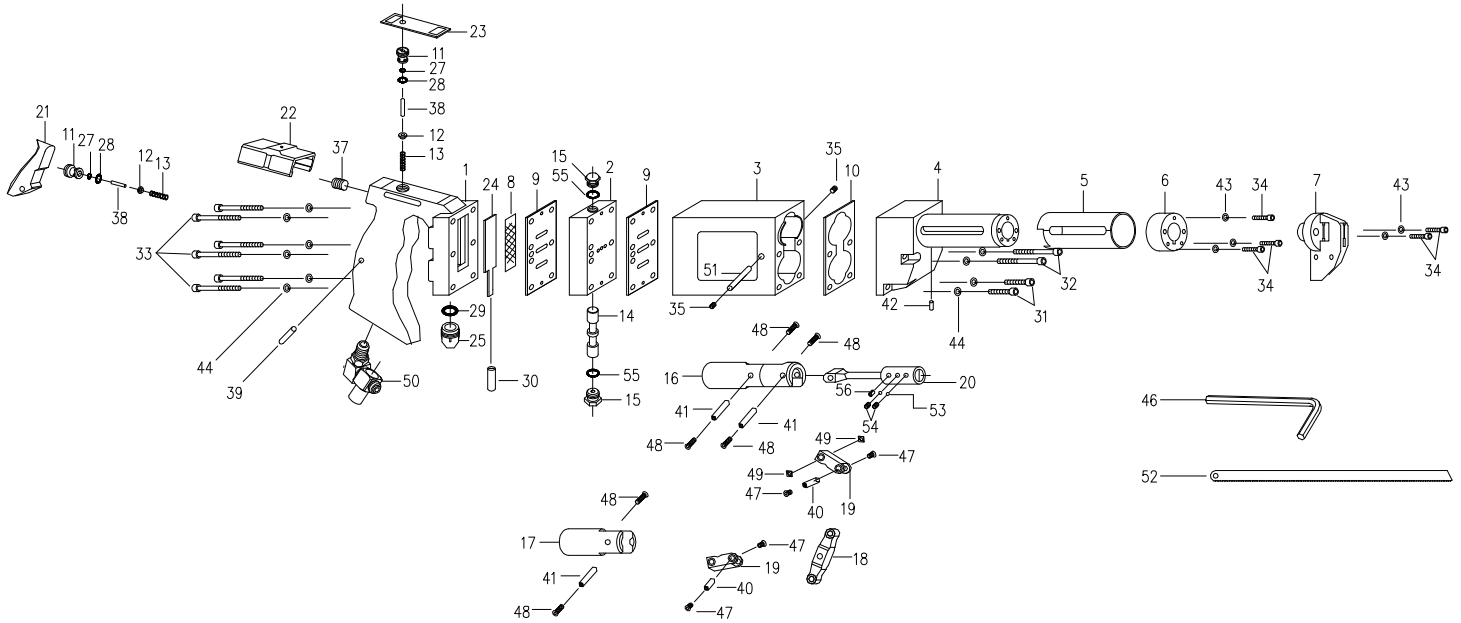
CCS350N Industrial Air Saw

Technical Data

Speed	: 0 – 1200 Strokes / Min.
Stroke	: 45 MM
Air Consumption	: 4.2 l/Min.(120 CFM)
Working Air Pressure	: 6.3 Kg/Cm2 (90 PSI)
Air Inlet Size	: 1/4" PT or NPT
Min. Hose Size	: 3/8" (9.5mm) I.D.
Sound Pressure	: <85 dBA
Vibration	: < 5m/s2
Weight	: 2.5 Kg (5.5 Lbs)
Length	: 400MM (15-3/4")
Width	: 41 MM (1-5/16")
Height	: 134MM (5-1/4")
Packing/Ctn(Pcs/N.W.:KG/G.W.:KG/Cu.Ft.)	: 10 / 25 / 27 / 2.3

Standard Accessories:

- 922A Swivel Air Inlet Joint
- 350900 Carrying Blow Case
- Bi-Metal Saw Blade-
- 300 mm X 17 mm in 8/12 and 14 TPI
- 3 MM Hex Wrench



PARTS LIST

Index	Part #	Description	Index	Part#	Description
1.	350101B	Handle	31.	W3162419	Socket Head Cap Screw (2)
2.	350102B	Valve Unit Body	32.	W3162438	Socket Head Cap Screw (2)
3.	350103R	Body	33.	W3162444	Socket Head Cap Screw (6)
4.	350114B	Front End Housing (3/4" Slot)	34.	040716	Socket Head Cap Screw (5)
5.	350105R	Silencer Guard	35.	W5161808	Set Screw (2)
6.	350116	End Cap (3/4" Slot)	37.	182808	Set Screw
7.	350117	Nosepiece (3/4" Slot)	38.	RP3025	Roll Pin (2)
8.	350108	Filter	39.	SP3020	Spring Pin
9.	350119	Gasket- Valve Unit Body (2)	40.	350405	Hollow Shaft (S) (2)
10.	350110	Gasket- Body to Front End Housing	41.	350406	Hollow Shaft (L) (3)
11.	350211	Valve Stem Bushing (2)	42.	SP0306	Spring Pin
12.	121605	Valve Seat (2)	43.	SW0407	Spring Washer (5)
13.	656204	Valve Spring (2)	44.	SW0508	Spring Washer (10)
14.	350301	Valve Rod	46.	314933	3 MM Hex Wrench
15.	350302	Valve Rod Cap (2)	47.	F40706	Screw (4)
16.	350401	Top Piston	48.	F40712	Screw (6)
17.	350402	Bottom Piston	49.	PW0612	Washer (2)
18.	350403	Middle Link Rod	50.	922A19	1/4"NPT/Universal Swivel Air Inlet Joint
19.	350404	Outer Link Rod (2)		922A18	1/4"NPT/Universal Swivel Air Inlet Joint (OPT.)
20.	350501	Connecting Rod	51.	RP6423	Roll Pin
21.	350601	Trigger	52.	350812L	(3/4") 300-8/12-SL Saw Blade
22.	350602	Safety Switch		350914L	(3/4") 300-14-ST Saw Blade
23.	350701	Safety Nameplate	53.	SB0047	Steel Ball (2)
24.	350702	Oil Pad	54.	W1042006	Set Screw (2)
25.	350703	Visible Oil Container	55.	OR0913	O-RING
27.	OR0307	O-Ring (2)	56.	SP5210	Spring Pin
28.	OR0812	O-Ring (2)			
29.	OR1217	O-Ring			
30.	350705	Sleeve			