

# data sheet

## Colanta

**IL- PCB Film Processor  
TYPE: 56 - 110 NG & NGs**



## Colanta

**To be used for all type of common used PCB Films  
for roll- and or sheetfeed format.**

**IL PCB NG -Typ: 82 cm/min at 30 sec dev time**

**IL PCB NGs -Typ: 115 cm/min at 30 sec dev time**



# Colenta 35 - 110 NG & NGs

## Technical Specifications

All Colenta IL PCB processors support 6 programmable processing channels, an intermediate rinse bath rack system, covered stand, daylight feed box, hose/tube connection (100 mm dia.) facility for ventilation of the processors wet-section to an external exhaust fan and supplied with 2 x 30 lt replenishment storage tanks

**With** level control in **DEV/FIX** processor tanks to automatically “top-up” chemistry when levels are low.

**With** additional filtration for **DEV, FIX and WASH** inc. square meter based software control

**With** level control in wash tanks: high/low level monitoring with alarm warning.

**With** automatic wash tank “fill” when processor is switched on.

Film thickness: up to 0,3mm

Material width: min. 7,5 cm max. **56/66/80/95/110** cm

Material length: min. 10 cm

Time in Developer: **NG:** min. 10 sec - max. 120 sec

**NGs:** min. 15 sec - max 160 sec

Input speed. **NG:** 30sec/DEV-Time 82cm/min

**NGs:** 30sec/DEV-Time 115cm/min

		<b>56NG</b>	<b>66NG</b>	<b>80NG</b>	<b>95NG</b>	<b>110NG</b>
<b>Tank capacity - (incl. Filter)</b>	Developer:	15l	18l	24l	28l	38l
	Fixer:	15l	18l	24l	28l	38l
	Wash water:	17l	20l	26l	30l	40l

		<b>56NGs</b>	<b>66SNGs</b>	<b>80NGs</b>	<b>95NGs</b>	<b>110NGs</b>
<b>Tank capacity - (incl. Filter)</b>	Developer:	11l	14l	17l	20l	27l
	Fixer:	11l	14l	17l	20l	27l
	Wash water:	13l	16l	19l	22l	29l

Solution heating(Fix and DEV): adjustable in a range of 18°C - 43°C (separate inline 800W heaters)

Dryer: warm air  
variable in a range of 30°C - 60°C

Replenishment: fully automatic.  
replenishment is microprocessor controlled and calculated from information received from sensors measuring the width and length of material entering the processor. Replenishment cycles are adjustable.

Wash water distribution: 2 x built water solenoid 1 for wash and 1 for cooling

Wash water flow rate: 3,5 ltr/min when film is processed

Wash water supply pressure: 3 - 10 bar

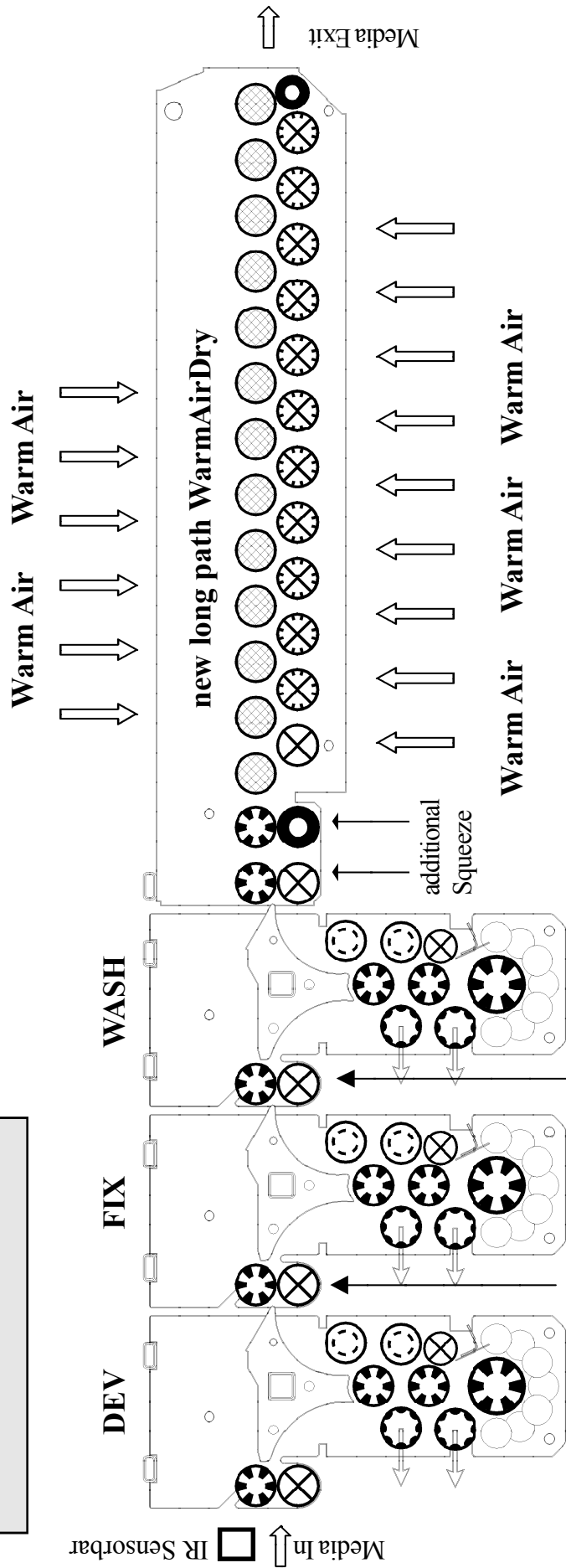
Wash water supply: filtered at a temperature of 8°C - 15°C  
with 3/4" hose connection

Wash water drain: 32mm (5/4inch) hose or tube

<b><u>Weight:</u></b>		<b>56NG</b>	<b>66NG</b>	<b>80NG</b>	<b>95NG</b>	<b>110NG</b>
	Empty	200 kg	220 kg	250 kg	290 kg	325 kg
	With solution	245 kg	274 kg	313 kg	359 kg	400 kg
		<b>56NGs</b>	<b>66SNGs</b>	<b>80NGs</b>	<b>95NGs</b>	<b>110NGs</b>
	Empty	212 kg	235 kg	265 kg	305 kg	340 kg
	With solution	245 kg	280 kg	316 kg	362 kg	406 kg

## Process overview:

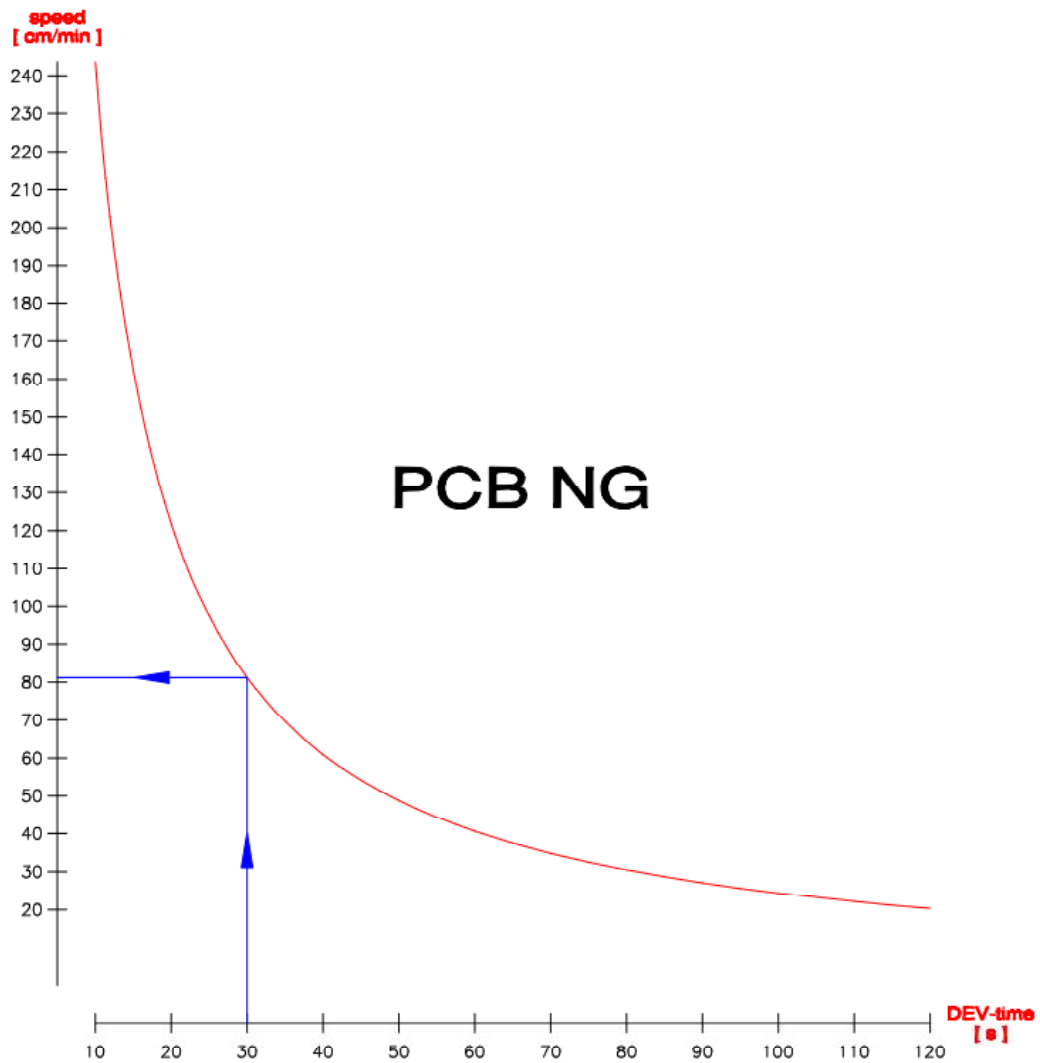
Capacity: 100cm/min at 30sec DEV time



Rinsed crossover rollers to minimize the carry over of chemistry from one section to the next

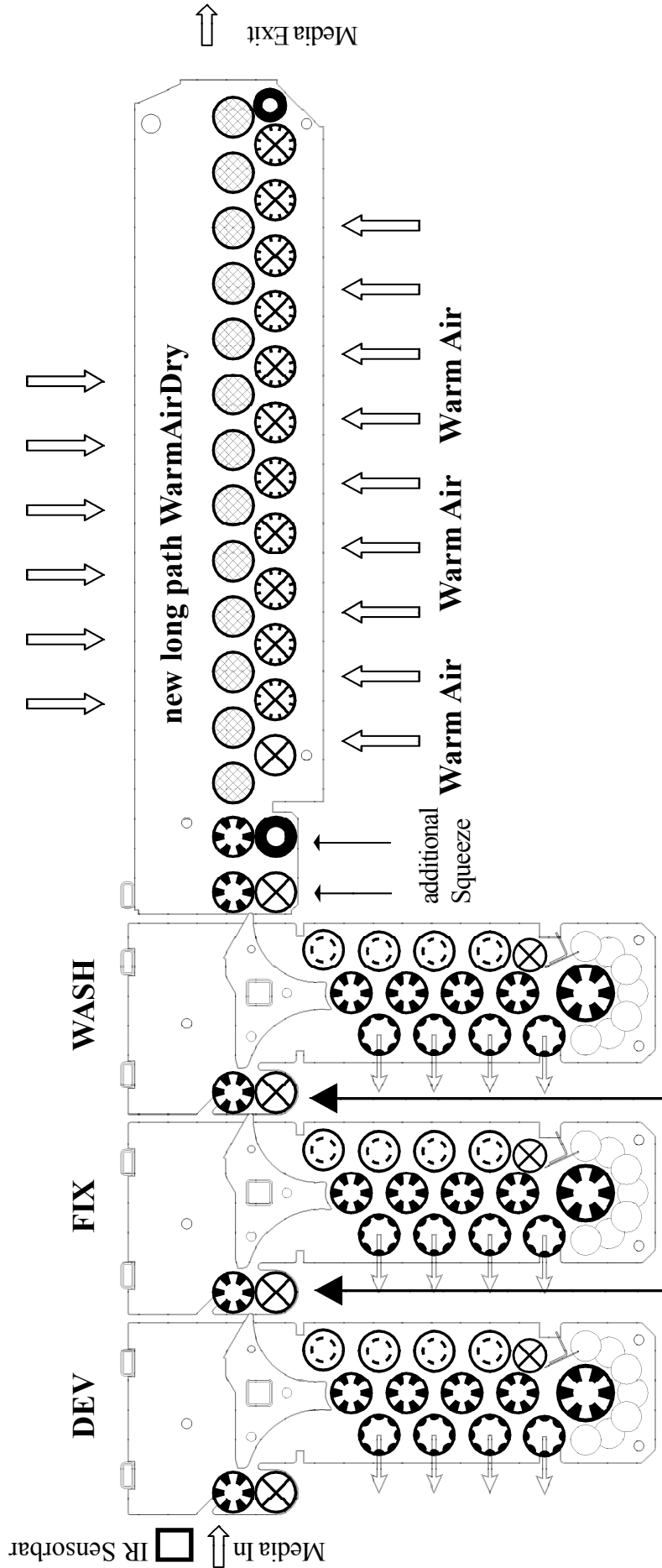
# Colenta PCB 56 - 110 NG

Production Graph:



**Process overview:**

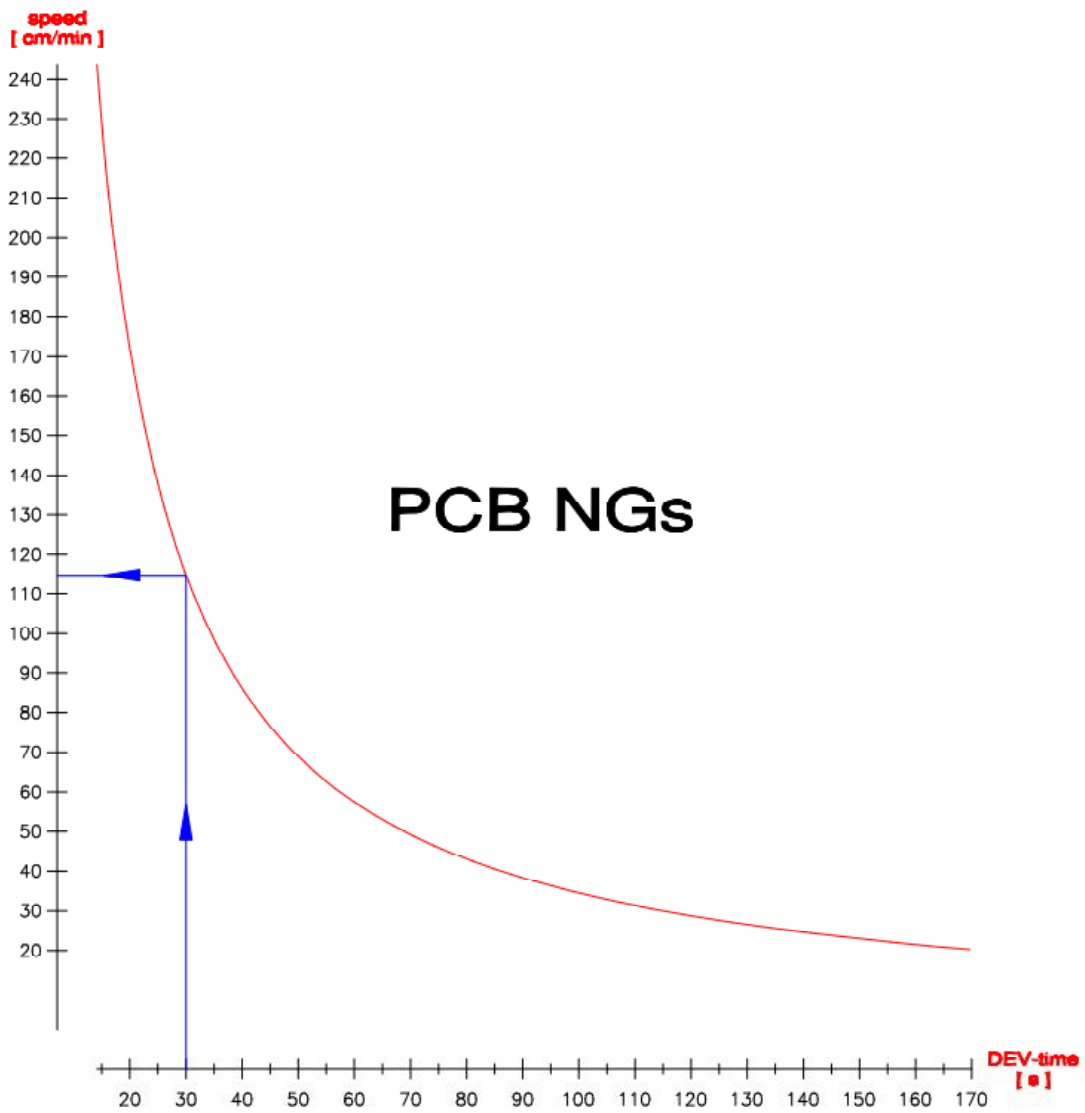
Capacity: 125cm/min at 30sec DEV time



Rinsed crossover rollers to minimize the carry over of chemistry from one section to the next

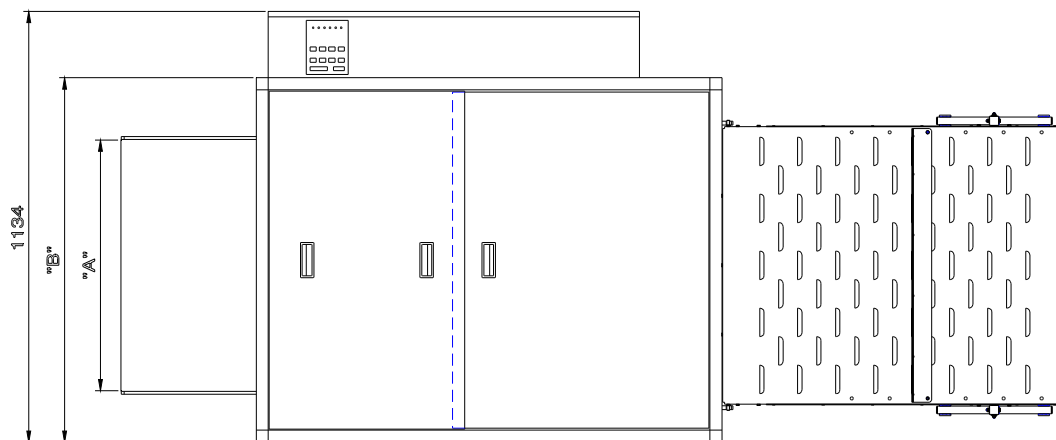
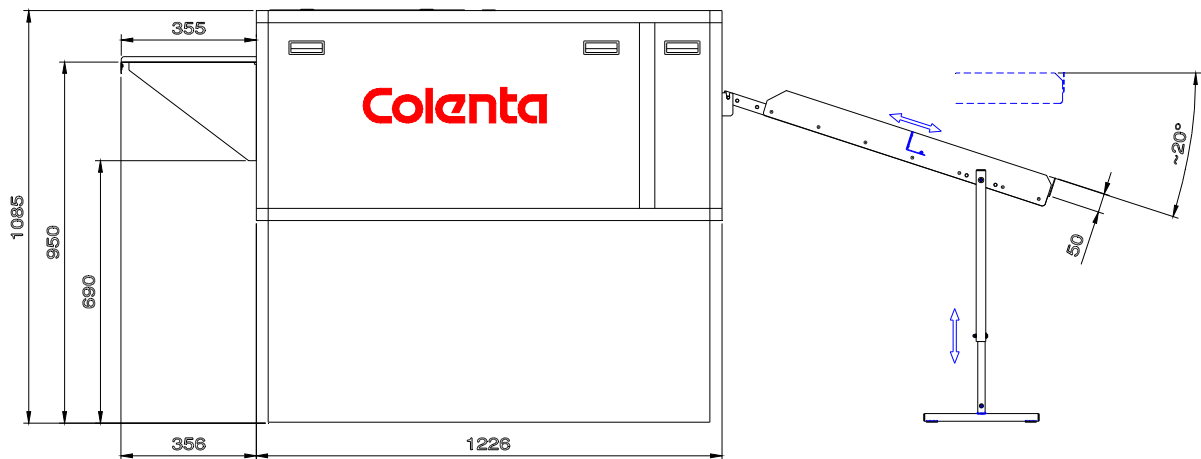
# Colenta PCB 56 - 110 NGs

Production Graph:



# Colenta 67 - 110 NG & NGs

Dimensions: for standard (NG) & speed Version (NGs):



	A	B
IL 56 PCB NGx	860mm	560mm
IL 66 PCB NGx	960mm	660mm
IL 80 PCB NGx	1100mm	800mm
IL 95 PCB NGx	1250mm	950mm
IL 110 PCB NGx	1400mm	1100mm



We recommend a minimum walking space around the processor of 50cm.

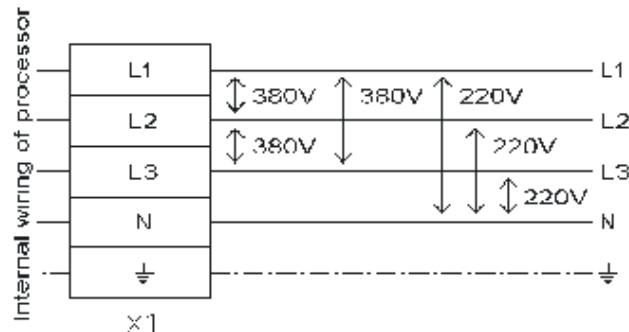
# Colenta 56 - 110 NG & NGs

Electrical Supply: (Standard, when 3N~400/230V, 50/60 Hz is supply available)

## 3N~400/230V 50/60Hz

<u>IL 56 NG</u>	<u>IL 66 NG</u>	<u>IL 80 NG</u>	<u>IL 95 NG</u>	<u>IL 110 NG</u>
5,6 kW	7,2 kW	7,2kW	8,8 kW	10,4 kW
13A	16A	16A	20A	20 A

ATTENTION:  
PROCESSOR TO BE CONNECTED TO  
SUPPLY NET: 3N~380/220V 50/60Hz



In case the above voltages are not available at site, please contact your local dealer or the factory for rewiring advice.



# Colenta 56 - 110 NG & NGs

Electrical Supply: (alternatives, to be indicated when ordering)

## 3~230V 50/60Hz

IL 56 NG  
5,6 kW  
16 A

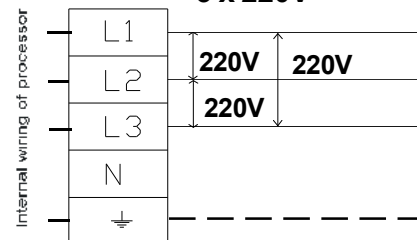
IL 66 NG  
7,2kW  
20 A

IL 80 NG  
7,2 kW  
20 A

IL 95 NG  
8,8 kW  
32 A

IL 110 NG  
10,4 kW  
32A

ATTENTION:  
PROCESSOR TO BE CONNECTED TO  
SUPPLY NET: **3 x 220V**



In case the above voltages are not available at site, please contact your local dealer or the factory for rewiring advice.

## 230V 50/60Hz

IL 56 NG  
5,6 kW  
25 A

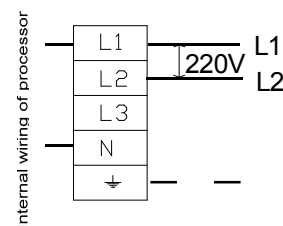
IL 66 NG  
7,2kW  
32 A

IL 80 NG  
7,2 kW  
32 A

IL 95 NG  
8,8 kW  
50 A

IL 110 NG  
10,4 kW  
50 A

ATTENTION:  
PROCESSOR TO BE CONNECTED TO  
SUPPLY NET: 220V 50/60Hz



In case the above voltages are not available at site, please contact your local dealer or the factory for rewiring advice.

# Colenta 35 - 110 NG & NGs

Electrical Supply: (alternatives, to be indicated when ordering)

## 3~200V 50/60Hz

IL 56 NG  
4,2 kW  
16 A

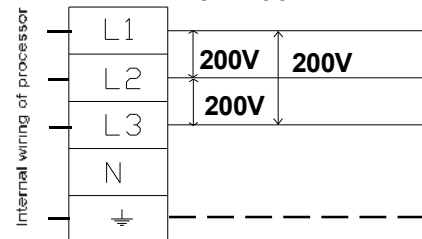
IL 66 NG  
5,5kW  
20 A

IL 80 NG  
5,5 kW  
20 A

IL 95 NG  
6,8 kW  
25 A

IL 110 NG  
8,1 kW  
25 A

ATTENTION:  
PROCESSOR TO BE CONNECTED TO  
SUPPLY NET: **3 x 200V**



In case the above voltages are not available at site, please contact your local dealer or the factory for rewiring advice.

## ~200V 50/60Hz

IL 56 NG  
4,2 kW  
25 A

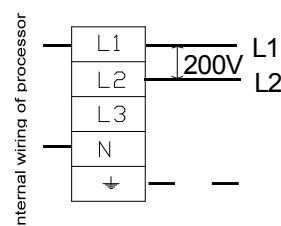
IL 66 NG  
5,5kW  
32 A

IL 80 NG  
5,5 kW  
32 A

IL 95 NG  
6,8 kW  
40 A

IL 110 NG  
8,1 kW  
50 A

ATTENTION:  
PROCESSOR TO BE CONNECTED TO  
SUPPLY NET: 220V 50/60Hz



In case the above voltages are not available at site, please contact your local dealer or the factory for rewiring advice.

# Colenta 56 - 110 NG & NGs

## Details for shipment:

<b>56 NG / 56 NGs</b>	<b>packing dimensions:</b> 1 carton box on palette 180cm x 113cm x 142cm (L x W x H) <b>packing volume:</b> 2,88 m <sup>3</sup> <b>weight with packing:</b> 375 kg
<b>66 NG / 66 NGs</b>	<b>packing dimensions:</b> 1 carton box on palette 183cm x 120cm x 140cm (L x W x H) <b>packing volume:</b> 3,07 m <sup>3</sup> <b>weight with packing:</b> 405 kg
<b>80 NG / 80 NGs</b>	<b>packing dimensions:</b> 1 carton box on palette 180cm x 135cm x 140cm (L x W x H) <b>packing volume:</b> 3,40 m <sup>3</sup> <b>weight with packing:</b> 450 kg
<b>95 NG / 95 NGs</b>	<b>packing dimensions:</b> 1 carton box on palette 180cm x 150cm x 145cm (L x W x H) <b>packing volume:</b> 3,91 m <sup>3</sup> <b>weight with packing:</b> 535 kg
<b>110 NG / 110 NGs</b>	<b>packing dimensions:</b> 1 carton box on palette 180cm x 152cm x 155cm (L x W x H) <b>packing volume:</b> 4,24 m <sup>3</sup> <b>weight with packing:</b> 580 kg