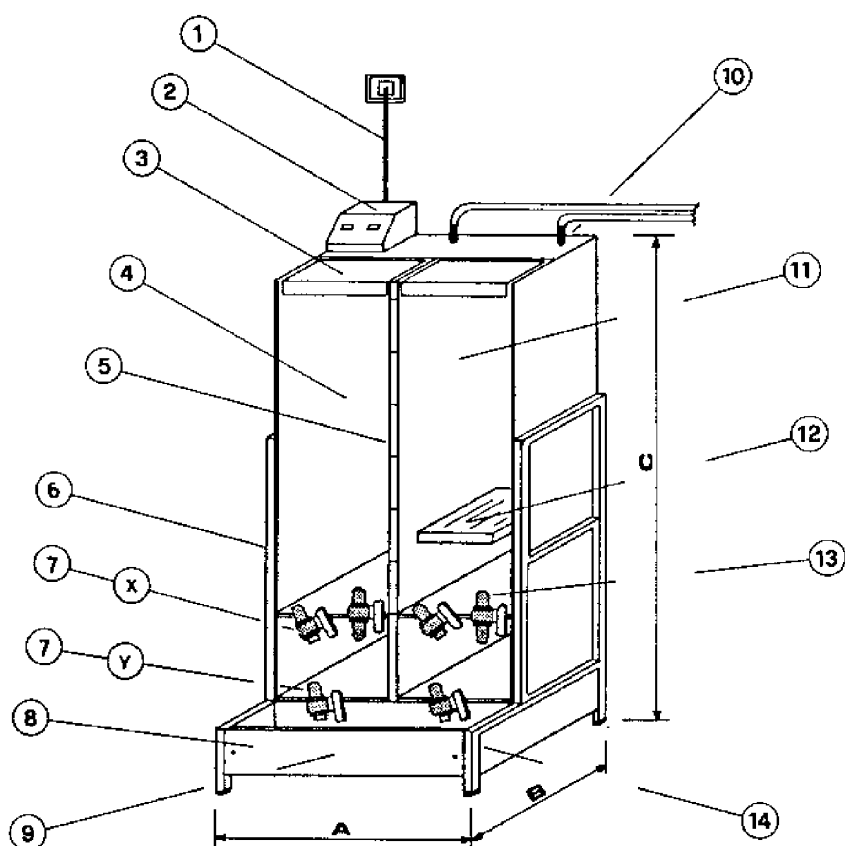


# TECNOLAB INFORMATION

## TECNOLAB ISOLATION MIXING CONSOLE

LT. 30 x 2	A = 37	B = 48	C = 128
LT. 30 x 3	A = 51	B = 48	C = 128
LT. 30 x 4	A = 66	B = 48	C = 128
LT. 30 x 5	A = 81	B = 48	C = 128
LT. 30 x 6	A = 96	B = 48	C = 128
LT. 30 x 7	A = 110	B = 48	C = 128
LT. 60 x 2	A = 44	B = 58	C = 128
LT. 60 x 3	A = 63	B = 58	C = 128
LT. 60 x 4	A = 81	B = 58	C = 128
LT. 120 x 2	A = 63	B = 68	C = 128
LT. 120 x 3	A = 91	B = 68	C = 128
LT. 120 x 4	A = 118	B = 68	C = 128

C = 128 " All dimensions in cm"



- 1) Mixing pump to local, fused, switched 13 A single phase
- 2) Mixing control
- 3) Sliding cover
- 4) Tank unit
- 5) Volume indication ( litres )
- 6) Steel, tubular containment frame.
- 7) Drain taps. x: upper tank ( optional ) y: botton tank
- 8) Drip tank
- 9) Mixing pump beneath
- 10) Outlet to the processor's replenishment pumps
- 11) Clear PVC front
- 12) Floats lids within
- 13) Transfer taps "A"
- 14) Drain connection beneath

**Note:** Possibility to have mixing paddle instead of pump, for some secondary chemical ( Stabilizer )