

Shaked energy fuel saving and emissions solutions

Shaked energy is a leading company at the energy field in Israel with more than 30 years of experience.

One of our representatives is a German company name Lamtec.

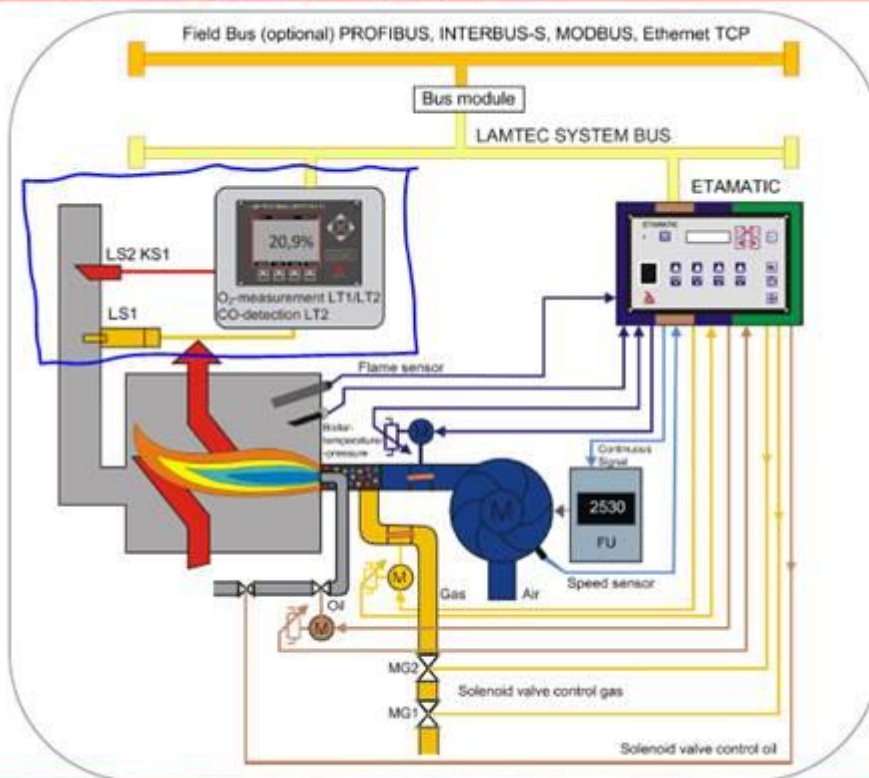
Lamtec main field is combustion management systems - meaning controlling the air and the fuel that entering the burners in order to adjust optimization of fuel consumption and decreasing the O₂, Co, NO_x pollution.

I added below a drawing which illustrate my point: A sensor is installed on the Stack (marked in blue) and identifies the amount of oxygen and Co.

The information is processed and passed to the burner control where we define the desired oxygen points in different combustion loads.

Following the definition of the points, a 4-20 mA signal is sent to the Burners's servo motors with the defined air / fuel concentration, in order to receive the required oxygen and carbon monoxide concentration.

ETAMATIC S with integrated CO/O₂-control



LAMTEC Meß- und Regeltechnik für Feuerungen GmbH & Co. KG

Advantages: Reducing the oxygen's concentration in the Stack--> NO_x decreasing -
->Increasing the combustion efficiency at the chambers -> fuel Saving



Sensoren und
Systeme für die
Feuerungstechnik

Controlling & Monitoring of Cox -> Compliance with environmental requirements + Adjustment of air-fuel ratio at a very high resolution + monitoring the quality of gas entering the burner
Shaked-energy is willing to check the adjustment of our system at one of your sites and to estimate the fuel saving and the emission improvement.

For any question please do not hesitate

Amiram Zardok
Sales engineer
+972525004110



מען למכתבים: ת.ד. 1186 קריית מלאכי 83110 מפעל: א"ת צומת ראם (מסמיה) טל: 08-9330917 פקס: 08-9430831

Plant location: reem junction industrial zone Tel: 08-9330917 Fax: 08-9430831 shaked@shaked-energy.com