

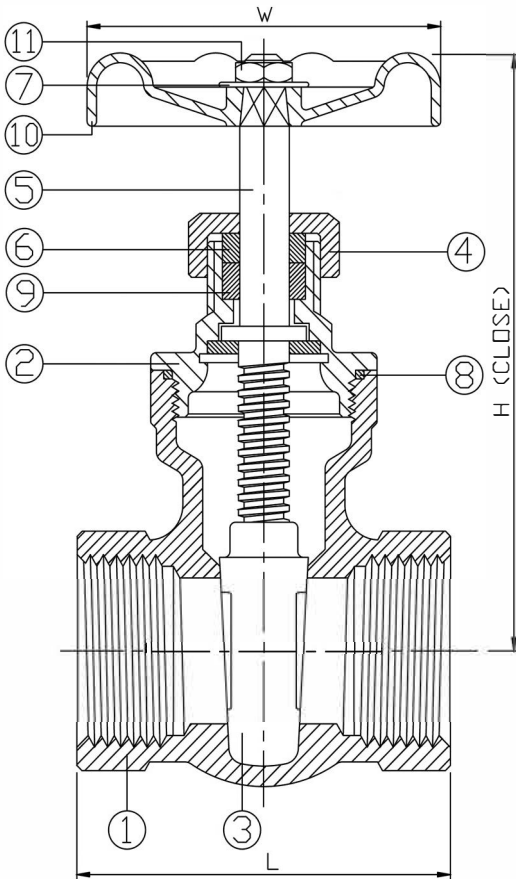
SERIES #31276 | 200 #316 Threaded Gate Valve



Figure # 31276 = 200# , 316, NPT, Gate Valve

Product Description

Investment Casting
Screwed-in Bonnet
Non-Rising Stem
Solid Wedge Disc
Hand wheel Operation
Threaded Ends Conform to ASME B1.20.1 (NPT)
200 W.O.G.
Maximum Working Temperature: 350°F
Test and Inspection to API 598



ITEM	PARTS	MATERIAL
1	BODY	ASTM A351-CF8M
2	BONNET	
3	DISC	
4	CAP NUT	
5	STEM	AISI 316
6	GLAND	AISI 304
7	SPIN WASHER	PTFE
8	GASKET	FCD
9	PACKING	AISI 304
10	HANDLE WHEEL	
11	NUT	

NPS	L	H	W	Weight (lb)
1/2"	1.97	3.94	2.44	0.88
3/4"	2.24	3.94	2.44	1.10
1"	2.52	4.84	2.95	1.54
1-1/4"	2.87	5.31	2.95	2.43
1-1/2"	3.01	5.91	3.74	3.09
2"	3.41	6.69	3.74	4.41

151 Memorial Drive, Unit A
 Shrewsbury MA 01545
 Toll Free: 1-866-59SIMCO (866-597-4626)
 Phone: 508-845-3300
 Fax: 508-845-3304
 info@simcovalve.com
 www.simcovalve.com

SIMCO
 Valve Company, Inc. **SVC**