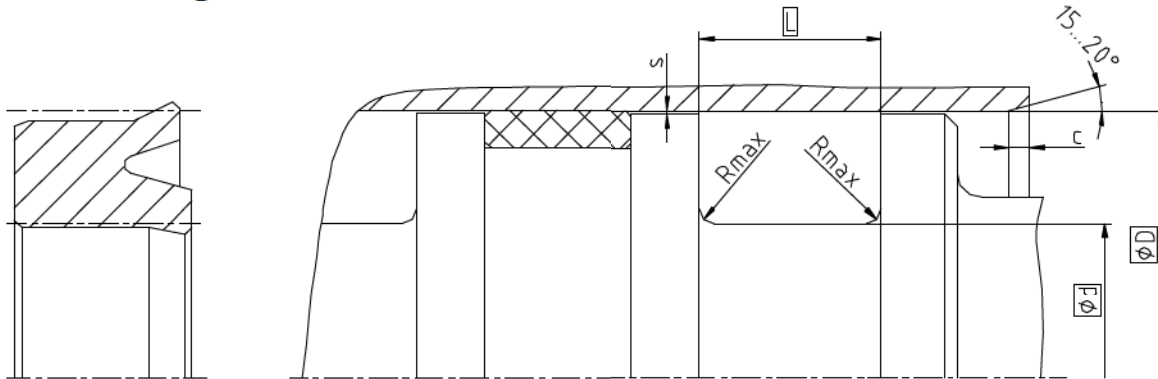


Piston seals

Seal housing



Surface roughness	Rtmax	Ra
Sliding Surface	≤ 2,5 µm	0,1...0,5 µm
Bottom of groove	≤ 6,3 µm	≤ 1,6 µm
Groove face	≤ 15 µm	≤ 3 µm

Ordering dimensions... □

Bearing area: 50...95% and a cutting depth of 0,5xRz based on Cref = 0%

Standard dimensions

ØD H9	Ød h10	L +0,2	Rmax	c	max. radial extrusion gap s*			
					20 bar	100 bar	200 bar	400 bar
≥ 13 ... ≤ 25	D - 8	6,0	0,4	3,5	0,33	0,18	0,11	0,05
> 25 ... ≤ 50	D - 10	7,0	0,4	4,0	0,37	0,22	0,16	0,10
> 50 ... ≤ 75	D - 12	8,0	0,4	4,5	0,42	0,27	0,20	0,14
> 75 ... ≤ 150	D - 15	10,0	0,4	5,0	0,46	0,31	0,25	0,19
> 150 ... ≤ 300	D - 20	12,0	0,4	6,0	0,54	0,39	0,32	0,26
> 300 ... ≤ 500	D - 25	18,0	0,4	8,5	0,61	0,46	0,39	0,33
> 500 ... ≤ 750	D - 30	20,0	0,4	10,0	0,67	0,52	0,45	0,39
> 750 ...	D - 40	26,0	0,4	13,0	0,67	0,52	0,45	0,39

* Extrusion gap applies to a temperature of 70 °C, higher temperatures require lower values.

Operating parameters

Sealing material	Temperature	max. speed	max. pressure ¹
ECOPUR®	-30 °C...+110 °C	0,5 m/s	400 bar (40 MPa)
H-ECOPUR™	-20 °C...+110 °C		
S-ECOPUR™	-20 °C...+110 °C	0,7 m/s	
T-ECOPUR™	-50 °C...+110 °C	0,5 m/s	
G-ECOPUR™	-30 °C...+110 °C		

The stated operation conditions represent general indications. It is recommended not to use all maximum values simultaneously. Surface speed limits apply only to the presence of adequate lubrication film.

¹ Pressure ratings depend on the size of the extrusion gap.

Ordering example

K01-P, D=100mm, d=85mm, L=10mm, ECOPUR®

Piston Seal K01-P
Profile

100 x 85 x 10
D x d x L

ECOPUR®
Sealing material