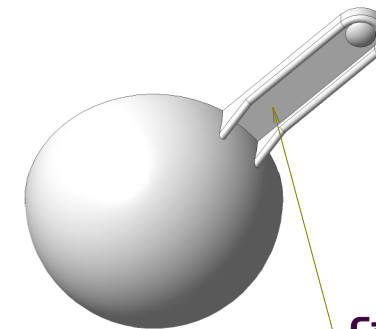
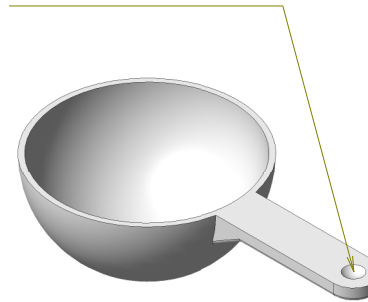


Feed point recess



Cav ID this face

File location: CAD files on PlasmotecOI/ Original/ Plasmotec / Scoops & Spoons / PLA219A - Plasmotec 25ml Scoop

"This drawing represents our interpretation of your instructions and all sizes and tolerances should be carefully checked. We assume that the profile is an original design owned by you, and we shall, accordingly produce it in good faith. Should the profile infringe any patent, registered design or copyright owned by a third party, we shall assume that we are indemnified by you against all loss we may suffer arising from any claims by that third party. Your signature indicates acceptance of the drawing, and that our assumption is correct"

Drawn In accordance with BS308 Parts 1 & 2
All dimensions in millimeters

Tolerance unless stated to be the larger of:

whole numbers (0) +/- 0.5 or 0.5%

one decimal place (0.0) +/- 0.25 or 0.25%

two decimal places (0.00) +/- 0.12 or 0.12%

FINISH **PSF05 - 600 Polish**

PLASMOTEC LTD

TITLE **25ml Scoop**
Generic **Polypropylene**
Matl.

Drwn By **Andy**

Ch'd by

I

ISS

DATE

Original

REVISIONS

03/02/03

DATE

03/02/03

DRG.No

PLA219A