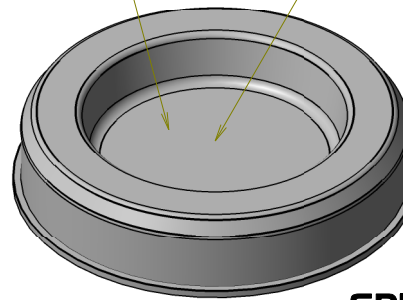
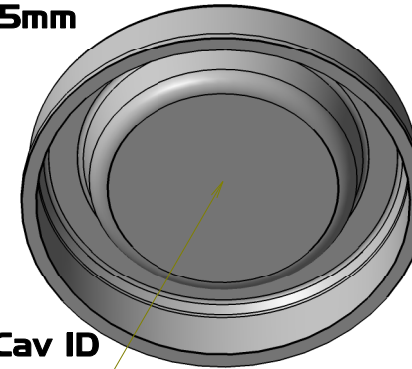


**Hand Logo
this face**

**Gate witness
max 0.75mm**



**SPI & Cav ID
this face**



File location: CAD files on PlasmotecOI/ Original/ Plasmotec / PLAI220A - 63.5mm Base Plug

"This drawing represents our interpretation of your instructions and all sizes and tolerances should be carefully checked. We assume that the profile is an original design owned by you, and we shall, accordingly produce it in good faith. Should the profile infringe any patent, registered design or copyright owned by a third party, we shall assume that we are indemnified by you against all loss we may suffer arising from any claims by that third party. Your signature indicates acceptance of the drawing, and that our assumption is correct"

All dimensions in millimeters

Tolerance unless stated to be the larger of:
 whole numbers (0) +/- 0.5 or 0.5%
 one decimal place (0.0) +/- 0.25 or 0.25%
 two decimal places (0.00) +/- 0.12 or 0.12%

FINISH PSFOI - Light Spark

PLASMOTEC LTD

TITLE 63.5mm Base Plug

Generic Matl. Polypropylene

Drwn By Andy

I

ISS

DATE

Original

REVISIONS

26/01/16

DRG.No

26/01/16

DATE

PLAI220A