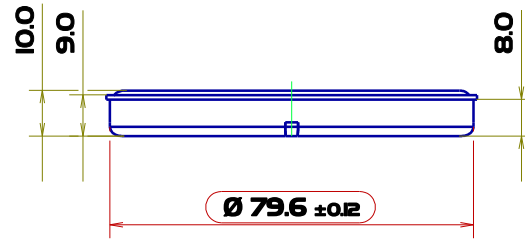
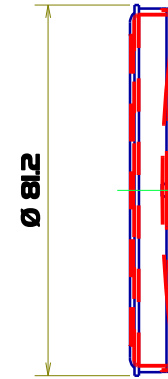
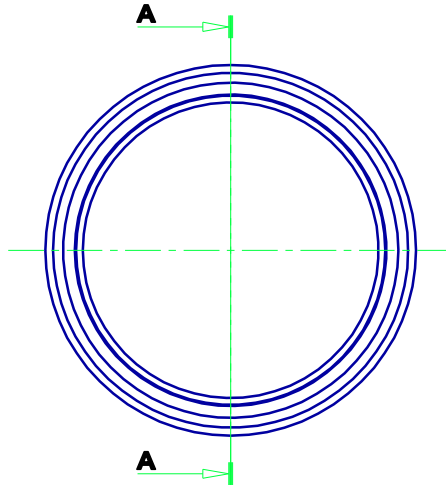
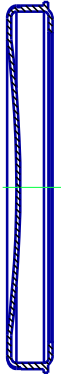


A-A



Cavity ID & SPI Logo
this face.



Feed point this face.
Max height of gate vestage
0.5mm from face.

File location: CAD files on PlasmotecOI/ Original/ Plasmotec / PLAI257A - 79.6mm ARG Plug

"This drawing represents our interpretation of your instructions and all sizes and tolerances should be carefully checked. We assume that the profile is an original design owned by you, and we shall, accordingly produce it in good faith. Should the profile infringe any patent, registered design or copyright owned by a third party, we shall assume that we are indemnified by you against all loss we may suffer arising from any claims by that third party. Your signature indicates acceptance of the drawing, and that our assumption is correct"

Drawn in accordance with BS308 Parts 1 & 2
All dimensions in millimeters

Tolerance unless stated to be the larger of:

whole numbers (0) +/- 0.5 or 0.5%
one decimal place (0.0) +/- 0.25 or 0.25%
two decimal places (0.00) +/- 0.12 or 0.12%

FINISH **PSFOI - Light Spark**

PLASMOTEC LTD

TITLE **79.6mm ARG Plug**

Generic Matl. **Polyethylene**

Drwn By **Andy**

Ch'd by

ISS

DATE

1

24/10/11

Original

REVISIONS

DRG.No

24/10/11

DATE

PLAI257A