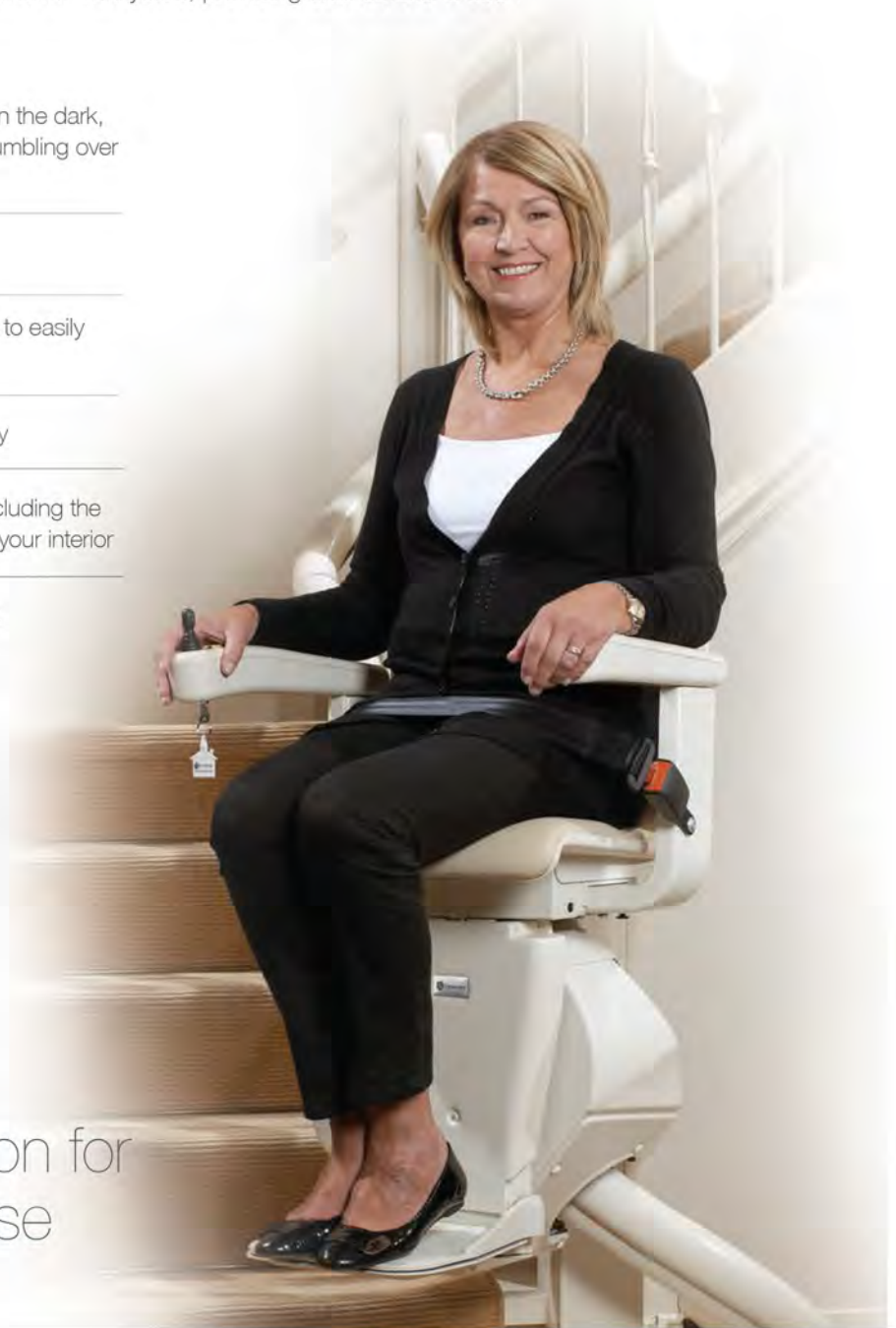


Freecurve

CURVED STAIRLIFT

A revolutionary design, the **Freecurve** utilizes a single tube that is custom built to fit your staircase. Coupled with a number of proprietary design options, the Freecurve maximizes your comfort while providing optimal aesthetics and convenience. Handicare has been a world leader in innovative lifting and mobility solutions for 130 years, providing safe solutions such as the Freecurve stairlift.

- LED illuminated footrest improves visibility in the dark, preventing you or other stair users from stumbling over the unfolded footrest
- Includes user-friendly retractable seatbelt
- Each unit comes with 2 handheld remotes to easily retrieve the stairlift
- Prevent unauthorized use with provided key
- Variety of seat options and track colors, including the ability to custom color match your track to your interior
- 5 year warranty on the motor and gearbox; 2 year manufacturer's parts warranty



A tailor-made solution for
your curved staircase

Ergonomic and innovative design features

VERSATILE



A special seat for **small riders** ensure a safe & comfortable ride no matter their size.

SAFE



Surrounded by **safety sensors**, Handicare stairlifts are designed to stop if meeting an obstruction – keeping you safe and still on your seat.

INTUITIVE



The easy-to-use joystick can be positioned on the left or right arm for **maximum control** and ensures a comfortable ride, every time.

SUPPORTIVE



With just a pull of the lever, the clever **Active Seat** option makes sitting down or standing up on the stairlift seat much easier by supporting your movements.

CONVENIENT



The **Turn & Go** feature automatically swivels your seat forward while riding. A convenient solution for staircases as narrow as 27¼" or users with limited knee flexion.

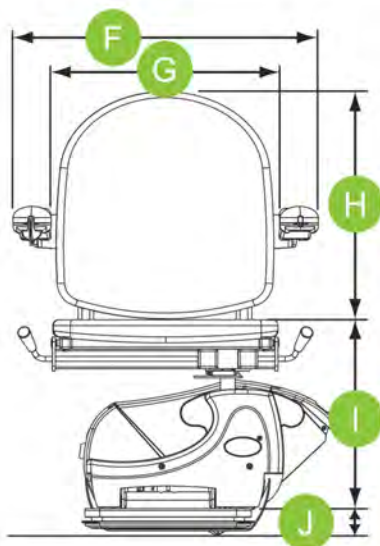
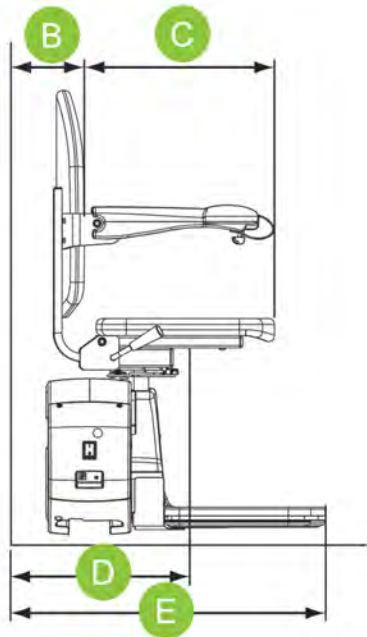
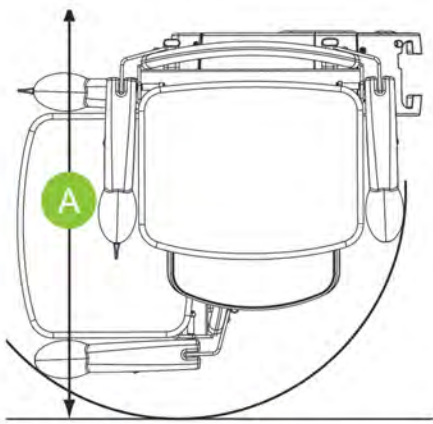
ADAPTABLE



The Freecurve can be combined with a **powered hinge** or **drop nose** option to prevent the track from obstructing a doorway at the base of the stairs.

Your first step to independence

Freecurve Dimensions



| SEAT | | DIMENSIONS |
|------|---|--------------------------------|
| A | Swivel radius | 28 3/8" - 29 1/2" |
| B | Wall to inner seat back | 4 1/8" - 5 1/8" |
| C | Seat depth | 14 1/2" - 15" |
| D | Minimum folded width to footrest | 16 1/2" - 17 3/8" |
| E | Minimum open width to edge of footrest Offset footrest | 25 1/8" - 26" 24" - 24 3/4" |
| F | Armrest width - external | 22 1/8" - 23 1/2" |
| G | Armrest width - internal | 17 1/8" - 18 1/4" |
| H | Seat back height | 15 1/2" - 16 3/8" |
| I | Footrest to seat height | 18 5/8" - 19 1/2" |
| J | Minimum footrest height | 3 3/8" / 4 7/8" |
| | Minimum track intrusion into staircase | 6 3/4" - 7 1/2" |
| | Maximum weight limit | 275 lbs |

* Dimensions vary based on seat style selected and may vary depending on hand of seat



Color Choices:



* Color availability may vary depending on seat type

Upholstery is made from a wipe clean and flame-retardant material.

All of our stairlifts are tested and approved by worldwide independent inspection services to give you the assurance that our products meet the highest standards in terms of quality and safety.

