

1000

STRAIGHT STAIRLIFT

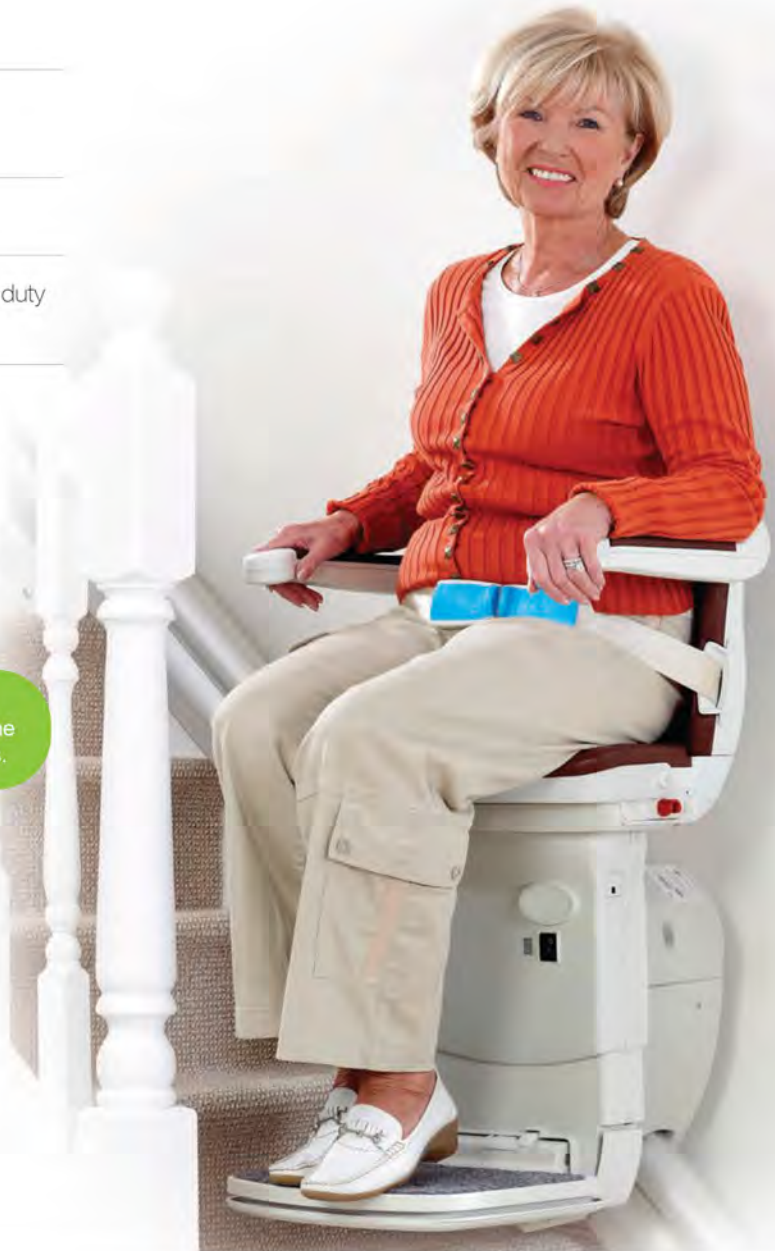
The sleekest track in our range, the **1000** provides minimal intrusion into the staircase. Its anodized aluminum rail offers a stylish and unexposed solution with a hidden gear rack that can safely lift up to 440 lbs. Handicare has been a world leader in innovative lifting and mobility solutions for 130 years, providing safe solutions such as the 1000 stairlift.

- Includes user-friendly retractable seatbelt
Not available on the XXL model
- Each unit comes with 2 handheld remotes to easily retrieve the stairlift
- Prevent unauthorized use with provided key
- Durable add-on packages for commercial and heavy duty applications available
- Limited lifetime warranty on the motor and gearbox;
2 year manufacturer's parts warranty

UP TO
440
POUNDS

Standard weight capacity on the 1000 is 350 lbs., while our 1000XXL boasts the heaviest weight capacity of up to 440lbs.

A sleek and durable solution that is perfect for both the indoors and outdoors



Ergonomic and innovative design features

CONVENIENT



For an easier exit, **swivel** your seat toward the landing once you reach the top, either manually or upgrade to our automatic powered option.

SAFE



Surrounded by **safety sensors**, Handicare stairlifts are designed to stop if meeting an obstruction – keeping you safe and still on your seat.

INTUITIVE



The toggle control was designed in collaboration with occupational therapists to ensure it is **easy-to-use** and operate - simply push with your hand, arm or wrist in the direction you want to go.

VERSATILE



The **outdoor** stairlift is UV protected and weatherproofed to withstand the elements. Includes a waterproof cover so it is always dry and ready.

ADAPTABLE



The **Perch Seat** option is ideal for users with limited hip and knee flexibility. The low profile "perch" style seat means your legs don't have to bend to use it yet you still feel secure.

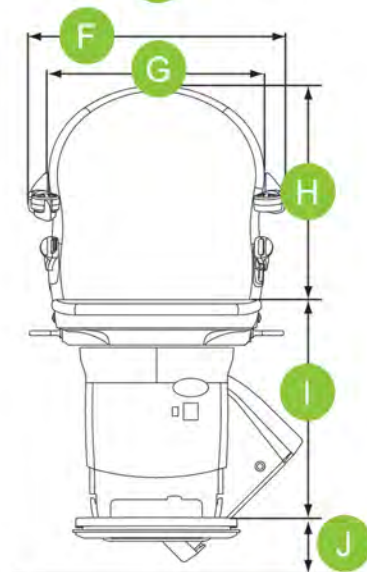
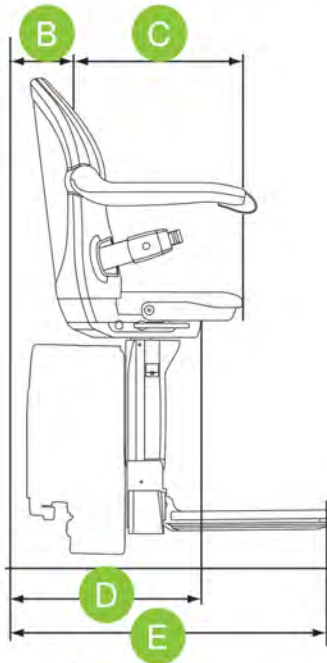
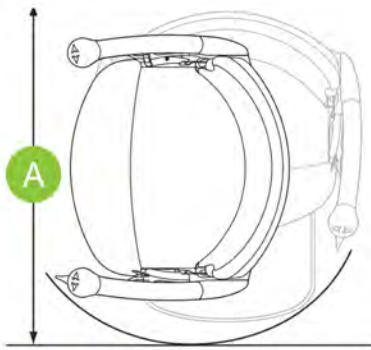
REVOLUTIONARY



The 1000 can be combined with a powered or manual **hinge** solution to prevent the track from obstructing a doorway at the base of the stairs.

Your first step to independence

1000 Dimensions



	SMART SEAT	PERCH
A Minimum swivel radius With armrest spacers With extended armrest spacers	26 3/8" 27 3/8" 28"	-
B Wall to inner seat back*	3"	3 3/4"
C Seat depth With extended seat	14 1/4" 16 3/4"	12 5/8"
D Minimum folded width to footrest*	15 1/8"	12"
E Minimum open width to edge of footrest*	25 5/8"	27 1/8"
F Armrest width – external With armrest spacers With extended armrest spacers	21 5/8" 23 1/4" 25"	21 5/8"
G Armrest width – internal With armrest spacers With extended armrest spacers	18 1/8" 20 1/4" 22 1/8"	18 1/8"
H Seat back height	17 7/8"	17 7/8"
I Footrest to seat height Standard seat option	18 1/4" - 21 1/4"	26 1/2" - 34 1/2"
J Minimum footrest height	3 3/8"	3"
Minimum track intrusion into staircase	4 1/2"	4 1/2"
Maximum weight limit Standard version Extra heavy duty version (XXL)***	350 lbs 440 lbs	300 lbs

* +1 3/4" for extra heavy duty (XXL) 2-way swivel with extended armrest spacers

** Not available for extra heavy duty (XXL)

*** Not available with hinged rail

Color Choices:



Upholstery is made from a wipe clean and flame-retardant material.

All of our stairlifts are tested and approved by worldwide independent inspection services to give you the assurance that our products meet the highest standards in terms of quality and safety.

