

950+

STRAIGHT STAIRLIFT

Our **950+** stairlift is an affordable and powerful solution for straight staircases. The 950+ incorporates the standard features of the 950 stairlift, but with an array of advanced features, such as the versatile and fully adjustable Smart Seat with a powered footrest and swivel seat option. For over 130 years, Handicare has been leading the world in providing quality lifting solutions such as the 950+.

- A fully adjustable Smart Seat fits to the user's height and width for maximum comfort
- Includes user-friendly retractable seatbelt
- Each unit comes with 2 handheld remotes to easily retrieve the stairlift
- Prevent unauthorized use with provided key
- Available in six stylish colors; upholstery is easy-to-clean and flame retardant
- Limited lifetime warranty on the motor and gearbox; 2 year manufacturer's parts warranty



An affordable and
powerful solution

Ergonomic and innovative design features

SMART



Stairlifts are battery powered to ensure you are in motion even during a power outage. The **continuous charging** feature charges the battery no matter where it is parked.

SAFE



Surrounded by **safety sensors**, Handicare stairlifts are designed to stop if meeting an obstruction – keeping you safe and still on your seat.

INTUITIVE



The toggle control was designed in collaboration with occupational therapists to ensure it is **easy-to-use** and operate - simply push with your hand, arm or wrist in the direction you want to go.

COMPACT



The 950+ boasts a **slim profile** ensuring other stair users can still use the staircase comfortably and safely. Upgrade to a powered footrest to eliminate the need to bend when folding it up.

REVOLUTIONARY



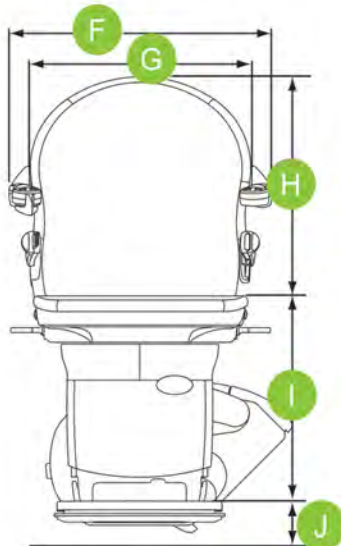
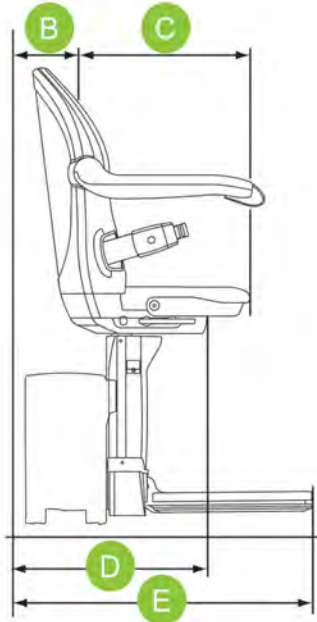
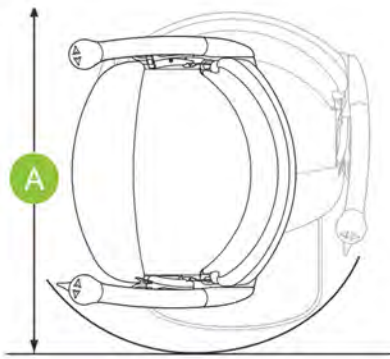
The **Slide Track** moves up the staircase at the same time the seat is moving, leaving the bottom of the stairs completely unobstructed. A manual hinge is also available.

CONVENIENT



For an easier exit, **swivel** your seat toward the landing once you reach the top, either manually or upgrade to our automatic powered option.

Your first step to independence



950+ Dimensions

	SMART SEAT	DIMENSIONS
A	Minimum swivel radius With armrest spacers With extended armrest spacers	25 3/4" 26 3/4" 27 3/8"
B	Wall to inner seat back	2 5/8"
C	Seat depth With extended seat	14 1/2" 16 3/4"
D	Minimum folded width to footrest	14 1/2"
E	Minimum open width to edge of footrest	22 1/2"
F	Armrest width – external With armrest spacers With extended armrest spacers	21 5/8" 23 1/4" 25"
G	Armrest width – internal With armrest spacers With extended armrest spacers	18 1/8" 20 1/4" 22 1/8"
H	Seat back height	17 7/8"
I	Footrest to seat height Standard seat option Perch seat option	17" - 20 7/8" 26 1/2" - 34 1/2"
J	Minimum footrest height	2 3/4"
	Minimum track intrusion into staircase	7 1/4"
	Maximum weight limit Manual hinge or Slide Track	310 lbs 265 lbs

Color Choices:

COCOA	SAND	SLATE
RUBY	SAPPHIRE	JADE

Upholstery is made from a wipe clean and flame-retardant material.

All of our stairlifts are tested and approved by worldwide independent inspection services to give you the assurance that our products meet the highest standards in terms of quality and safety.

