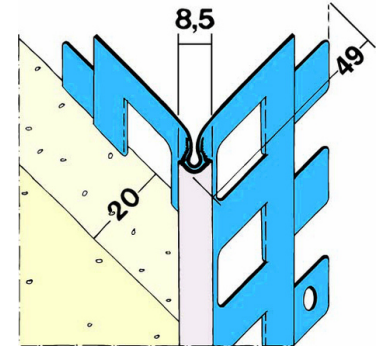


PRODUCT DATA SHEET

Version: 03.03.2015 | 13:59 h

ITEM NO. 1014

Description	Corner profile for external plaster
Specification	Corner protection profile with PVC coating for outdoor plaster Fix only using setting mortar, do not use any plaster or materials containing plaster.
Product Group	Plasterprofiles Exterior plaster profiles
Product Category	Corner beads
Plaster Thickness	20 mm
Type of Plaster	Mortars RFP mineral insulating plaster mono couche gypsum plaster lime plaster lime cement plaster silicate plaster Silicone resin plaster cement plaster Synthetic Resin
Material	galvanised steel, with PVC coating
Norm	EN 13658-2
Galvanizing	Z 275
Colour	white
Reaction to Fire	E
Length	250 cm 300 cm
Package	15 Piece



The present product sheet shows the current state of development of our products: with the publication of a new version this is no longer valid. Ensure that you always are using the most recent version of this information. Guarantees and liability upon delivery are defined in our general Terms of Business. Please follow the guidelines for use, fitting and siting. All information is subject to change.

Tender documents, fitting instructions and declarations of performance (where legally required) can all be found on our website. For the sake of the environment, please dispose of correctly!

PROTEKTORWERK
Florenz Maisch GmbH & Co. KG
Postfach 1420, D-76554 Gaggenau
Viktoriastr. 58, D-76571 Gaggenau

Tel.: +49 7225 977 - 0
Fax: +49 7225 9 77 - 111
info@protektor.com
www.protektor.com

