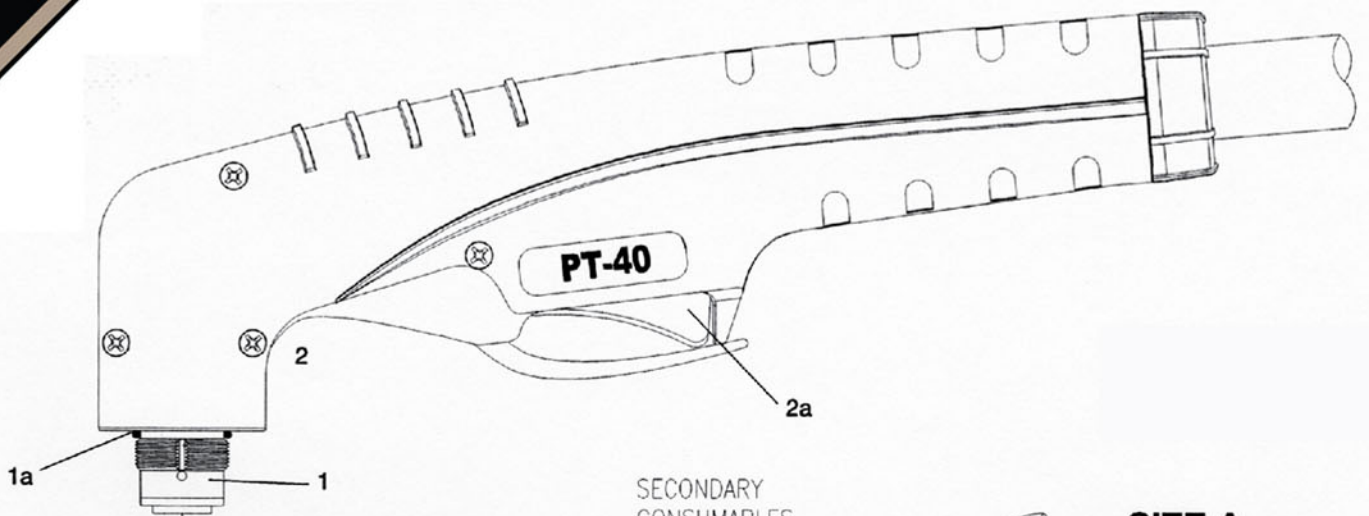




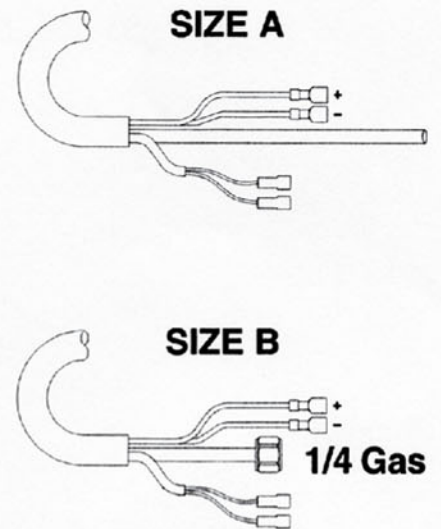
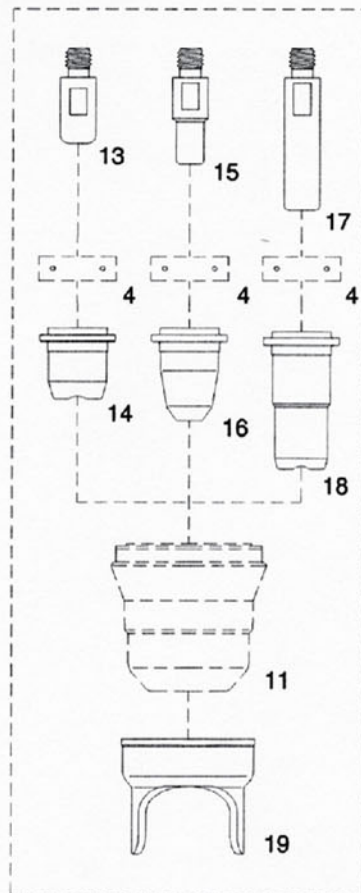
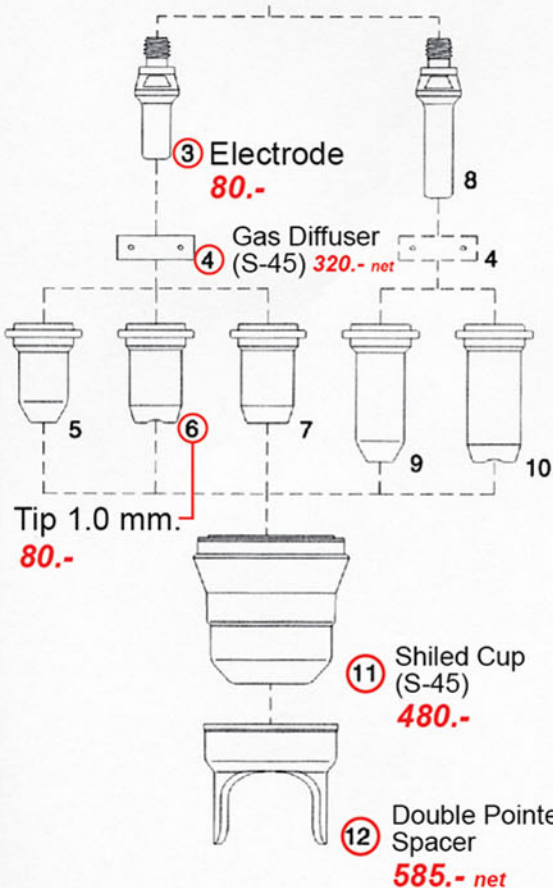
อะไหล่ตามตัดพลาสมา

PLASMA TORCH PARTS

PT-40-60



SECONDARY CONSUMABLES





อะไหล่ด้านตัดพลาสมา

PLASMA TORCH PARTS

PT-40-60

ITEM	DESCRIPTION	PRICE
1	PT-40 70° TORCH HEAD	
1a	O-RING	
2	HANDLE WITH SWITCH	
2a	SWITCH	
3	ELECTRODE BACK STRIKING	80.-
4	GAS DIFFUSER (S-45)	320.- net
5	TIP CONTAC CUTTING Ø0.65 10-20A BACK STRIKING	
	TIP CONTAC CUTTING Ø0.8 20-30A BACK STRIKING	
	TIP CONTAC CUTTING Ø0.9 30-40A BACK STRIKING	
6	TIP CONTAC CUTTING Ø1.0 30-40A BACK STRIKING	80.-
7	FLAT TIP CUTTING Ø0.9 30-40A BACK STRIKING	
	FLAT TIP CUTTING Ø1.0 40-50A BACK STRIKING	
8	EXTENDED ELECTRODE BACK STRIKING	
9	EXTENDED TIP CONTAC CUTTING Ø0.65 10-20A BACK STRIKING	
	EXTENDED TIP CONTAC CUTTING Ø0.8 20-30A BACK STRIKING	
10	EXTENDED TIP CONTAC CUTTING Ø0.9 30-40A BACK STRIKING	
11	SHILED CUP (S-45)	480.-
	RETAINING CAP 6 HOLES MAXIMUM LIFE	
12	DOUBLE POINTED SPACERS (FOR USE WITH ITEM 5 AND 7 ONLY)	585.- net
N/S	WRENCH FOR ELECTRODE	
A	PT-40 70° HAND TORCH 4 m (12.5 ft) LEADS COAXIAL CABLE	
	PT-40 70° HAND TORCH 6 m (20 ft) LEADS COAXIAL CABLE	
	PT-40 70° LEAD ASSEMBLY 4 m (12.5 ft) LENGTH COAXIAL CABLE	
	PT-40 70° LEAD ASSEMBLY 6 m (20 ft) LENGTH COAXIAL CABLE	
B	PT-40 70° HAND TORCH 4 m (12.5 ft) LEADS COAXIAL CABLE	
	PT-40 70° HAND TORCH 6 m (20 ft) LEADS COAXIAL CABLE	
	PT-40 70° LEAD ASSEMBLY 4 m (12.5 ft) LENGTH COAXIAL CABLE	
	PT-40 70° LEAD ASSEMBLY 6 m (20 ft) LENGTH COAXIAL CABLE	
13	ELECTRODE	
14	TIP CONTAC CUTTING Ø0.9 30-40A	
15	ELECTRODE	
16	TIP CONTAC CUTTING Ø0.65 10-20A	
	TIP CONTAC CUTTING Ø0.8 20-30A	
	TIP CONTAC CUTTING Ø0.9 30-40A	
17	EXTENDED ELECTRODE	
18	EXTENDED TIP CONTAC CUTTING Ø0.9 30-40A	
19	DOUBLE POINTED SPACERS (FOR USE WITH ITEM 16 ONLY)	
N/S	CIRCLE CUTTING ATTACHMENT	