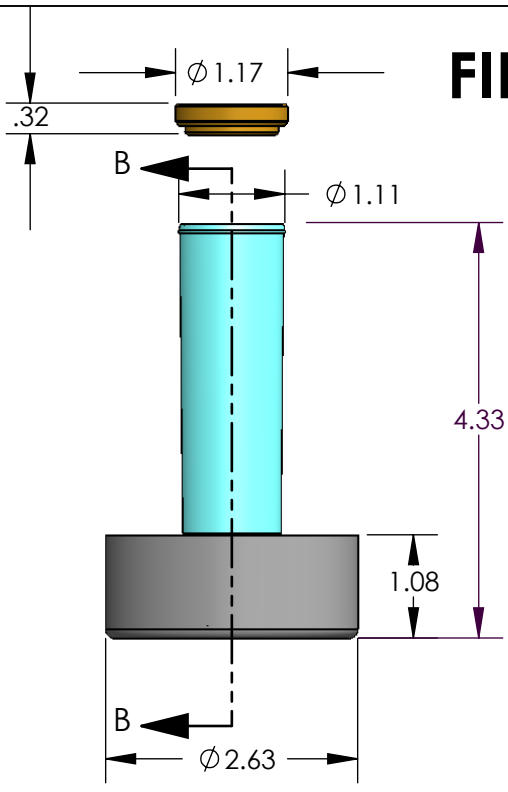


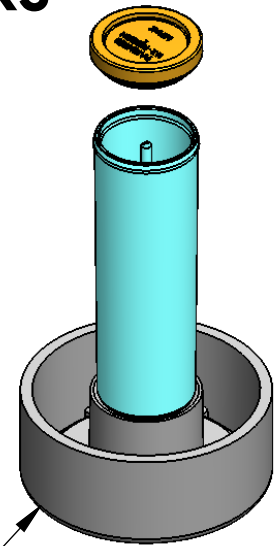
FILLING 1 FL OZ MPAKS



CLOSURE MC002A



SNAP FIT CLOSURE
FILL 1 FL OZ



SPECIAL PUCK FOR FILLING AND CAPPING. THIS PUCK PREVENTS ACTUATION OF PUMP DURING CAPPING. AVAILABLE FROM PCA

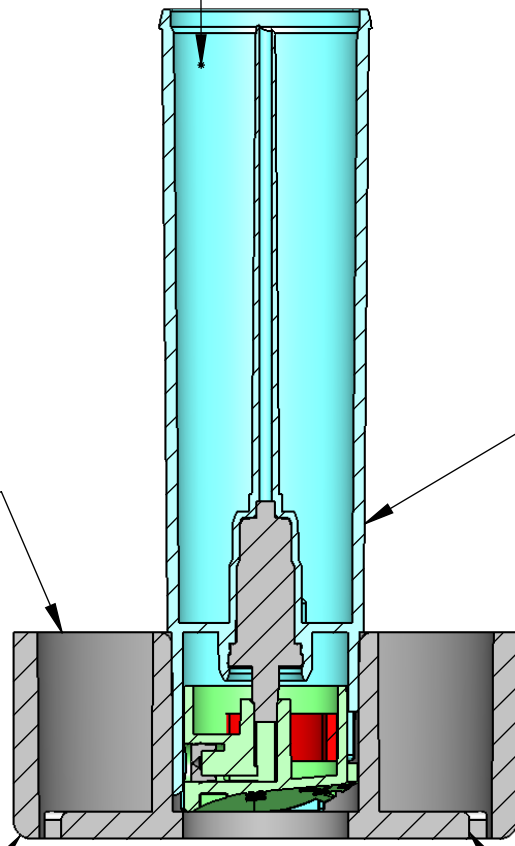
PUCK "B"
FOR ALL 1 AND
2 FL OZ MPAKS

ALL VARIATIONS
OF 1 FL OZ MPAKS

SECTION B-B
SCALE 1 : 1

POLYPROPYLENE

DRAIN HOLES



PROPRIETARY AND CONFIDENTIAL
THE INFORMATION CONTAINED IN THIS DRAWING IS THE SOLE PROPERTY OF PACKAGING CONCEPTS ASSOC.,LLC. ANY REPRODUCTION IN PART OR AS A WHOLE WITHOUT THE WRITTEN PERMISSION OF PACKAGING CONCEPTS ASSOC.,LLC IS PROHIBITED.

		DIMENSIONS ARE IN INCHES TOLERANCES: FRACTIONAL ± ANGULAR: MACH ± BEND ± TWO PLACE DECIMAL ± THREE PLACE DECIMAL ±
		MATERIAL
NEXT ASSY	USED ON	FINISH
APPLICATION		DO NOT SCALE DRAWING

	NAME	DATE
DRAWN	HWD	7/22/16
CHECKED		
ENG APPR.		
MFG APPR.		
Q.A.		
COMMENTS: USE PUCK B		

PACKAGING CONCEPTS ASSOC., LLC 230 Ella Grasso Avenue Torrington, Connecticut 06790		
FILLING / CAPPING 1 FL OZ MPAKS		
SIZE A	DWG. NO. 1 OZ FILLING	REV.
SCALE: 1:2	WEIGHT:	SHEET 1 OF 1