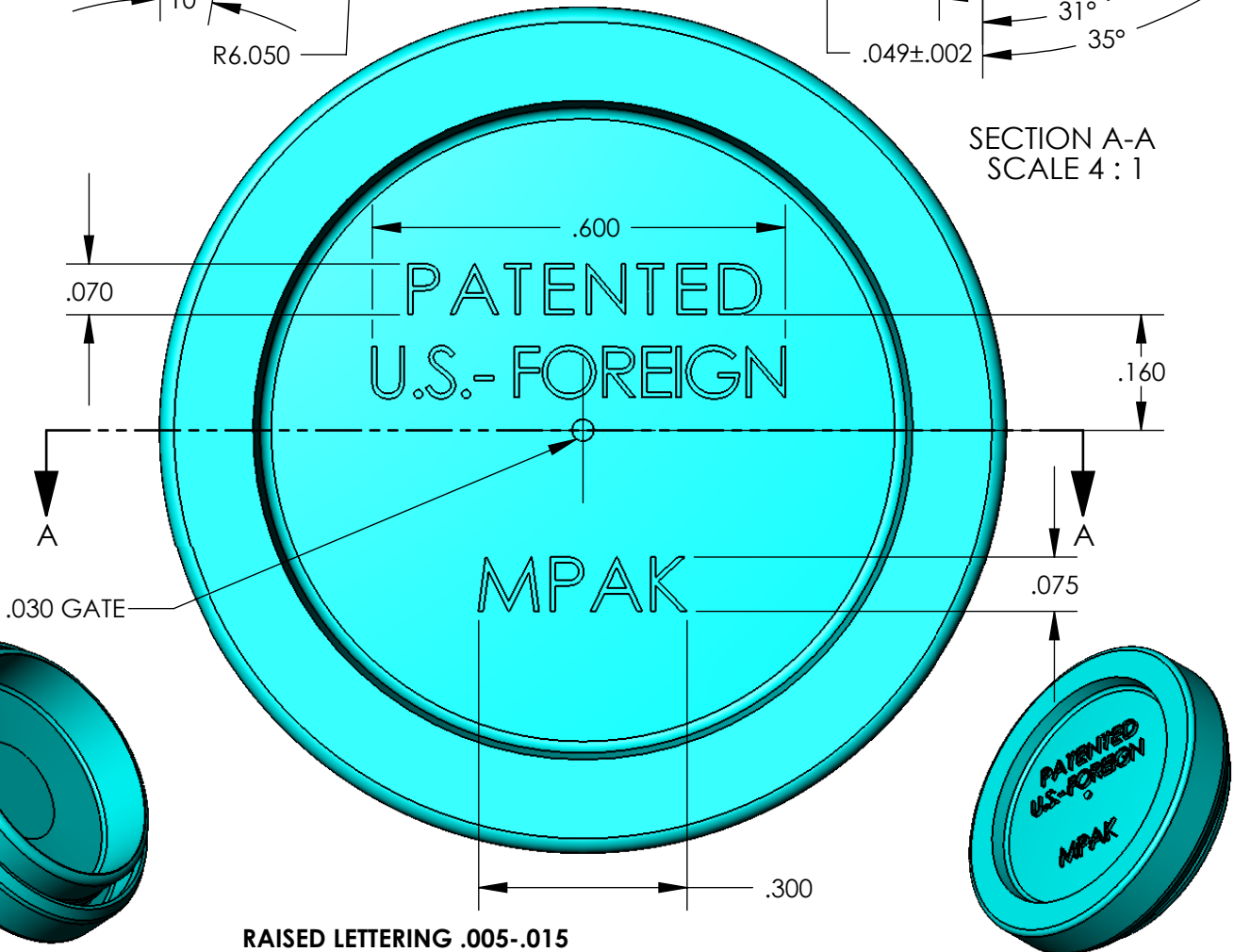


SECTION A-A
SCALE 4 : 1



RAISED LETTERING .005-.015

REDRAWN 8-9-10
REDRAWN 7-23-01
ORIGIN 11-9-94

PROPRIETARY AND CONFIDENTIAL
THE INFORMATION CONTAINED IN THIS DRAWING IS THE SOLE PROPERTY OF **Packaging Concepts Assoc., LLC**. ANY REPRODUCTION IN PART OR AS A WHOLE WITHOUT THE WRITTEN PERMISSION OF **Packaging Concepts Assoc., LLC** IS PROHIBITED.

		DIMENSIONS ARE IN INCHES TOLERANCES: FRACTIONAL ± ANGULAR: MACH ± BEND ± TWO PLACE DECIMAL ± THREE PLACE DECIMAL ±	
		MATERIAL Polypropylene	
NEXT ASSY	USED ON	FINISH	
APPLICATION		DO NOT SCALE DRAWING	

NAME	DATE
DRAWN HWD	8/9/10
CHECKED	
ENG APPR.	
MFG APPR.	
Q.A.	
COMMENTS:	

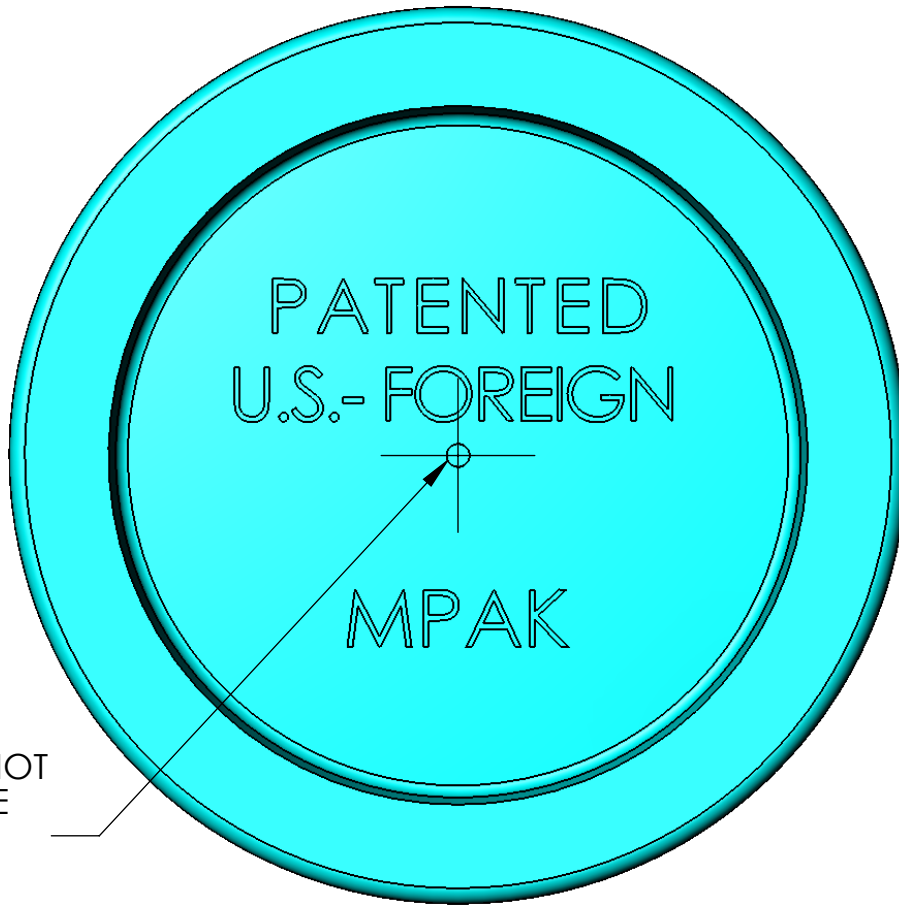
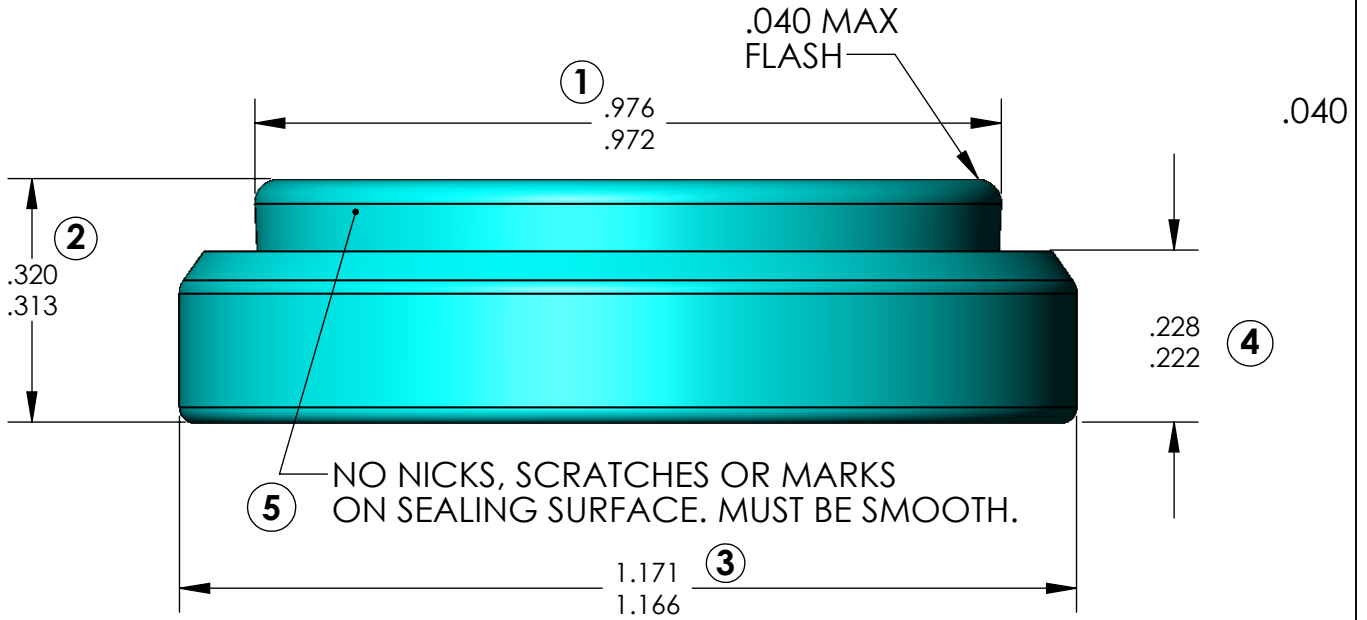
PACKAGING CONCEPTS ASSOC., LLC
BOYNTON BEACH, FLORIDA

CLOSURE

1 OUNCE M-PAK

SIZE	DWG. NO.	REV.
A	MC002A	A
SCALE: 1:1	WEIGHT:	SHEET 1 OF 2

QUALITY CONTROL DIMENSION CHECK



GATE SHOULD NOT BE RAISED MORE THAN .050

11/14/16 Rev. B Material Composition Changed to Generic Resin Name

PROPRIETARY AND CONFIDENTIAL
THE INFORMATION CONTAINED IN THIS DRAWING IS THE SOLE PROPERTY OF PACKAGING CONCEPTS ASSOC.,LLC. ANY REPRODUCTION IN PART OR AS A WHOLE WITHOUT THE WRITTEN PERMISSION OF PACKAGING CONCEPTS ASSOC.,LLC IS PROHIBITED.

		DIMENSIONS ARE IN INCHES TOLERANCES: FRACTIONAL ± ANGULAR: MACH ± BEND ± TWO PLACE DECIMAL ± THREE PLACE DECIMAL ±		NAME	DATE	PACKAGING CONCEPTS ASSOC., LLC BOYNTON BEACH, FLORIDA	
		MATERIAL Polypropylene		DRAWN	HWD	8/9/10	CLOSURE 1 OUNCE M-PAK
		FINISH		CHECKED			
NEXT ASSY	USED ON			ENG APPR.			
APPLICATION		DO NOT SCALE DRAWING		MFG APPR.			
				Q.A.			
				COMMENTS:		SIZE	REV.
						A	B
						DWG. NO. MC002A-QC	
						SCALE:1:1	WEIGHT: SHEET 2 OF 2