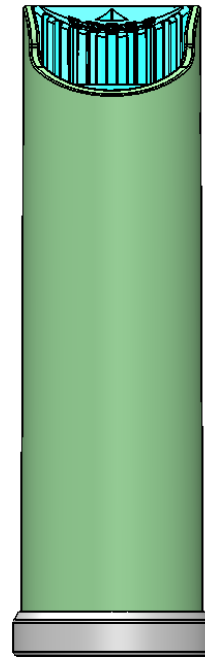
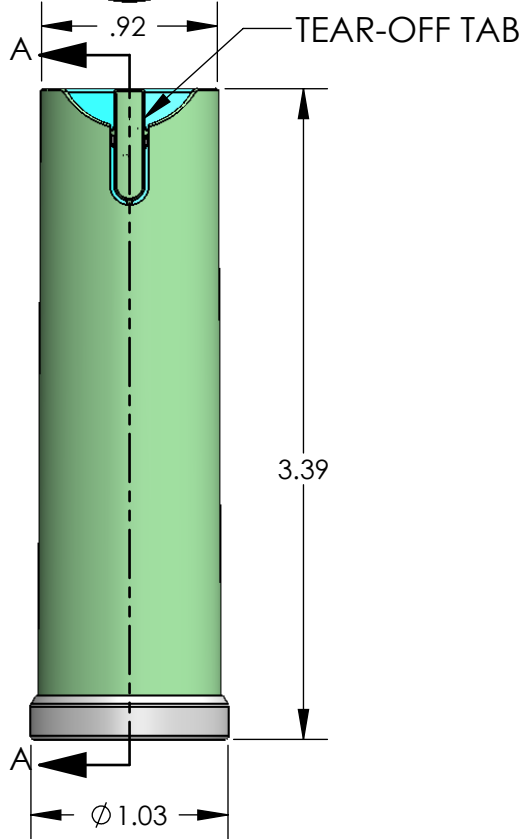
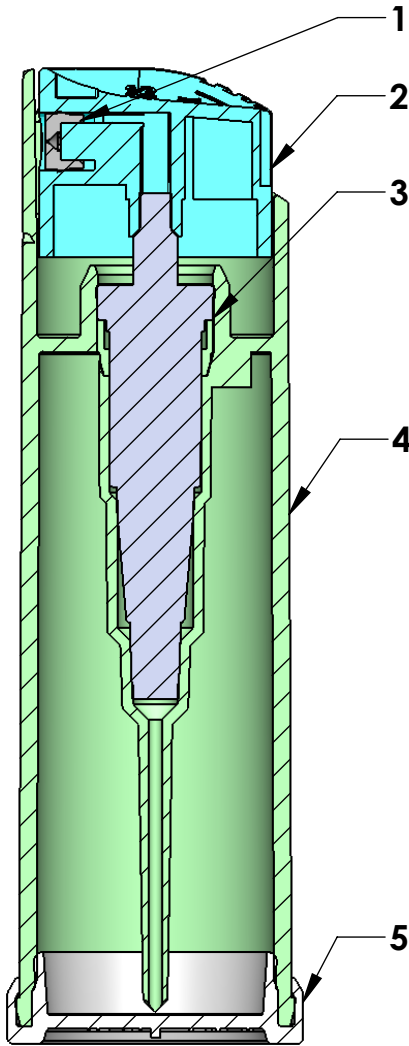


**STANDARD 0.5 FL OZ TWIST-LOCK MPAK  
WIDE OR NARROW SPRAY  
80 OR 130MCL DOSAGE**

NUMBER	DOSAGE	SPRAY
AC901A-000-1N	80MCL	NARROW
AC901A-000-2G	80MCL	WIDE
AC901B-000-1N	130MCL	NARROW
AC901B-000-2G	130MCL	WIDE



BACK VIEW



**TABLE OF RAW MATERIAL USED**

ITEM	COMPONENT	PART NUMBER	MATERIAL
1	SPRAY INSERT	PE001	ACETAL
	SPRAY INSERT	PE002	ACETAL
2	ACTUATOR	MA003A	HDPE
	ACTUATOR	MA004A	HDPE
3	PUMP PD002	2563-CD	SEE DRAWING
	PUMP PD003	2564-CD	SEE DRAWING
4	BODY	16-MB001-02A	POLYPROPYLENE
5	CLOSURE	08-MC001C	POLYPROPYLENE

<p><b>PROPRIETARY AND CONFIDENTIAL</b> THE INFORMATION CONTAINED IN THIS DRAWING IS THE SOLE PROPERTY OF PACKAGING CONCEPTS ASSOC.,LLC. ANY REPRODUCTION IN PART OR AS A WHOLE WITHOUT THE WRITTEN PERMISSION OF PACKAGING CONCEPTS ASSOC.,LLC IS PROHIBITED.</p>			<p>DIMENSIONS ARE IN INCHES TOLERANCES: FRACTIONAL ± ANGULAR: MACH ± BEND ± TWO PLACE DECIMAL ± THREE PLACE DECIMAL ±</p>	NAME	DATE	<p><b>PACKAGING CONCEPTS ASSOC., LLC</b> 230 Ella Grasso Avenue Torrington, Connecticut 06790</p> <p><b>MPAK</b> <b>0.5 FL OZ</b> STANDARD TWIST-LOCK 32MSLP PUMP</p>	
				DRAWN	HWD		4/13/16
				CHECKED			
				ENG APPR.			
				MFG APPR.			
				Q.A.			
				COMMENTS:			
	NEXT ASSY	USED ON	FINISH			SIZE	
						DWG. NO.	
						AC901	
						REV.	
						A	
	APPLICATION		DO NOT SCALE DRAWING			SCALE: 1:1	
						WEIGHT:	
						SHEET 1 OF 1	