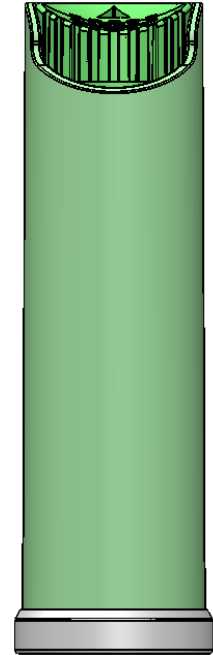
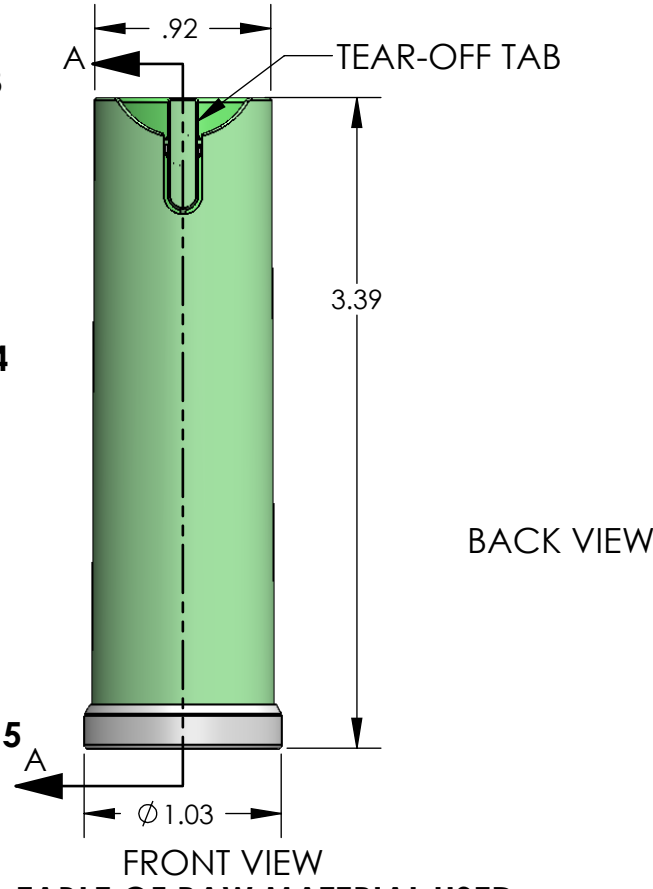
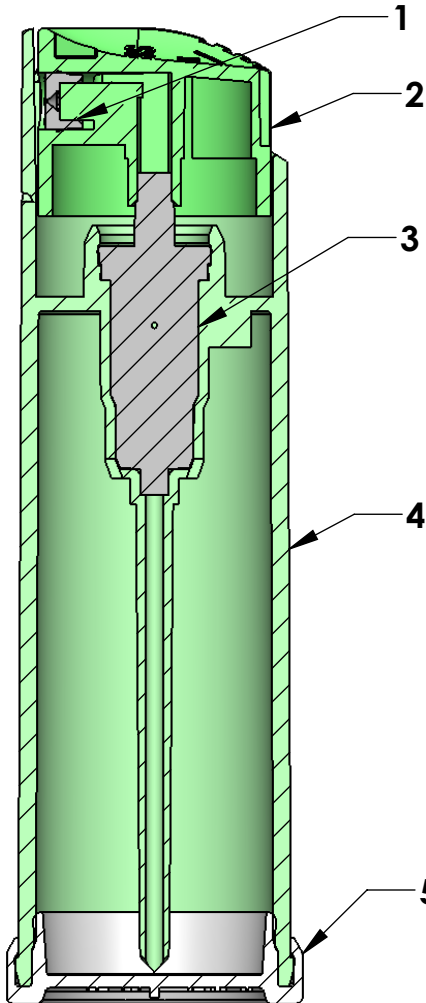


**STANDARD 0.5 FL OZ TWIST-LOCK MPAK
WIDE OR NARROW SPRAY
70, 100 OR 130MCL DOSAGE**

NUMBER	DOSAGE	SPRAY
ACV901A-000-1N	70MCL	NARROW
ACV901A-000-2G	70MCL	WIDE
ACV901B-000-1N	100MCL	NARROW
ACV901B-000-2G	100MCL	WIDE
ACV901C-000-1N	130MCL	NARROW
ACV901C-000-2G	130MCL	WIDE



**FRONT VIEW
TABLE OF RAW MATERIAL USED**

ITEM	COMPONENT	PART NUMBER	MATERIAL
1	SPRAY INSERT	PE001	ACETAL
	SPRAY INSERT	PE002	ACETAL
2	ACTUATOR	MA003A	HDPE
	ACTUATOR	MA004A	HDPE
	ACTUATOR	2563-CD	HDPE
3	PUMP VP4E-70	19711	SEE DRAWING
	PUMP VP4E-100	19712	SEE DRAWING
	PUMP VP4E-130	20546	SEE DRAWING
4	BODY	16-AA	POLYPROPYLENE
5	CLOSURE	08-MC001C	POLYPROPYLENE

<p>PROPRIETARY AND CONFIDENTIAL THE INFORMATION CONTAINED IN THIS DRAWING IS THE SOLE PROPERTY OF PACKAGING CONCEPTS ASSOC.,LLC. ANY REPRODUCTION IN PART OR AS A WHOLE WITHOUT THE WRITTEN PERMISSION OF PACKAGING CONCEPTS ASSOC.,LLC IS PROHIBITED.</p>			<p>DIMENSIONS ARE IN INCHES TOLERANCES: FRACTIONAL ± ANGULAR: MACH ± BEND ± TWO PLACE DECIMAL ± THREE PLACE DECIMAL ±</p>	NAME	DATE	<p>PACKAGING CONCEPTS ASSOC., LLC 230 Ella Grasso Avenue Torrington, Connecticut 06790</p> <p>MPAK 0.5 FL OZ STANDARD TWIST-LOCK VP4E PUMP</p>	
				DRAWN	HWD		4/14/16
				CHECKED			
				ENG APPR.			
				MFG APPR.			
				Q.A.			
				COMMENTS:			
	NEXT ASSY	USED ON	FINISH				
	APPLICATION		DO NOT SCALE DRAWING				
				SIZE	DWG. NO.	REV.	
				A	ACV901	A	
				SCALE:1:1	WEIGHT:	SHEET 1 OF 1	