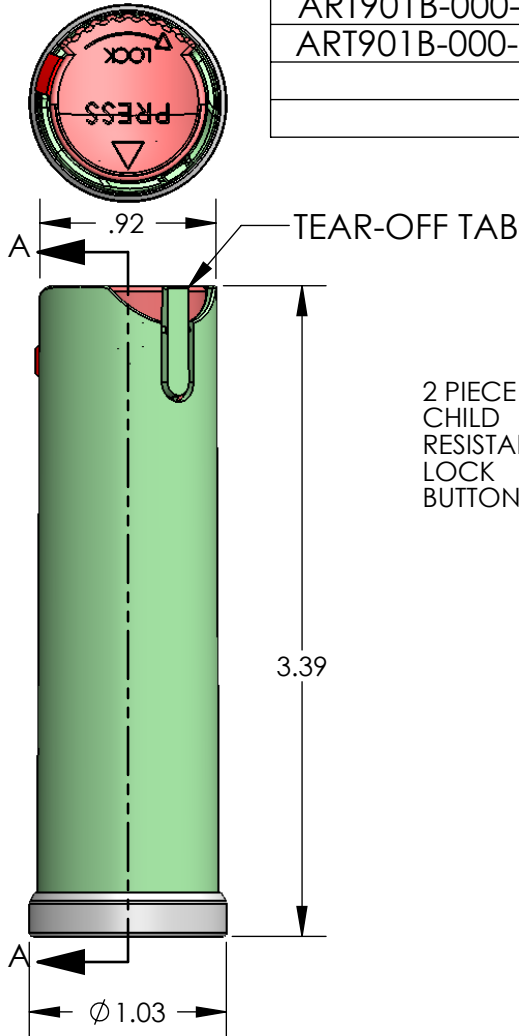
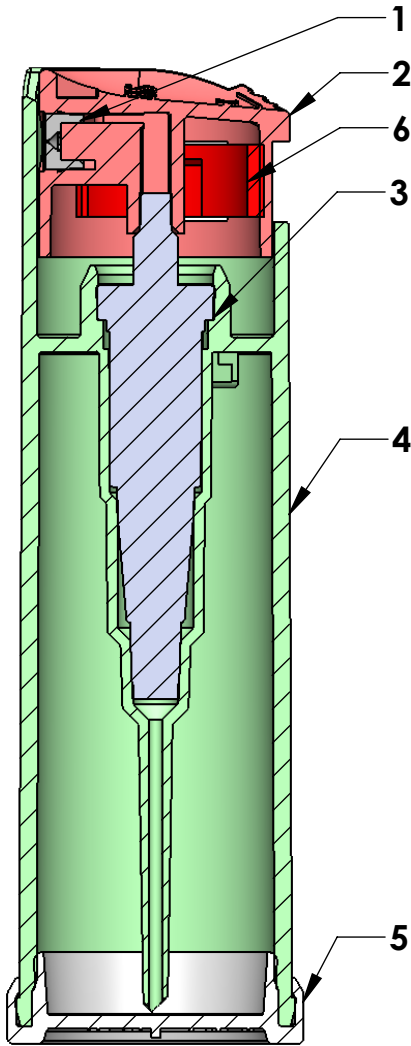
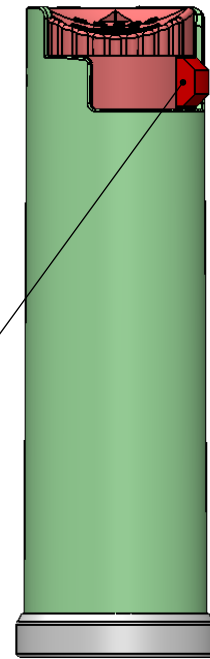


**CHILD RESISTANT 0.5 FL OZ MPAK
WIDE OR NARROW SPRAY
80 OR 130MCL DOSAGE**

NUMBER	DOSAGE	SPRAY
ART901A-000-1N	80MCL	NARROW
ART901A-000-2G	80MCL	WIDE
ART901B-000-1N	130MCL	NARROW
ART901B-000-2G	130MCL	WIDE



2 PIECE
CHILD
RESISTANT
LOCK
BUTTON



BACK VIEW



TABLE OF RAW MATERIAL USED

ITEM	COMPONENT	PART NUMBER	MATERIAL
1	SPRAY INSERT	PE001	ACETAL
	SPRAY INSERT	PE002	ACETAL
2	ACTUATOR	15-MA024	ACETAL
	ACTUATOR	15-MA025	ACETAL
3	PUMP PD002	2563-CD	SEE DRAWING
	PUMP PD003	2564-CD	SEE DRAWING
4	BODY	16-MB001-05A	POLYPROPYLENE
5	CLOSURE	08-MC001C	POLYPROPYLENE
6	BUTTON	MT001	ACETAL

<p>PROPRIETARY AND CONFIDENTIAL THE INFORMATION CONTAINED IN THIS DRAWING IS THE SOLE PROPERTY OF PACKAGING CONCEPTS ASSOC.,LLC. ANY REPRODUCTION IN PART OR AS A WHOLE WITHOUT THE WRITTEN PERMISSION OF PACKAGING CONCEPTS ASSOC.,LLC IS PROHIBITED.</p>			<p>DIMENSIONS ARE IN INCHES TOLERANCES: FRACTIONAL ± ANGULAR: MACH ± BEND ± TWO PLACE DECIMAL ± THREE PLACE DECIMAL ±</p>	NAME	DATE	<p>PACKAGING CONCEPTS ASSOC., LLC 230 Ella Grasso Avenue Torrington, Connecticut 06790</p> <p>MPAK 0.5 FL OZ CHILD RESISTANT,BUTTON 32MSLP PUMP</p>	
				DRAWN	HWD		4/13/16
				CHECKED			
				ENG APPR.			
				MFG APPR.			
				Q.A.			
				COMMENTS:			
	NEXT ASSY	USED ON	FINISH			SIZE A	
	APPLICATION		DO NOT SCALE DRAWING			DWG. NO. ART901	
						REV. A	
						SCALE:1:1	
						WEIGHT:	
						SHEET 1 OF 1	