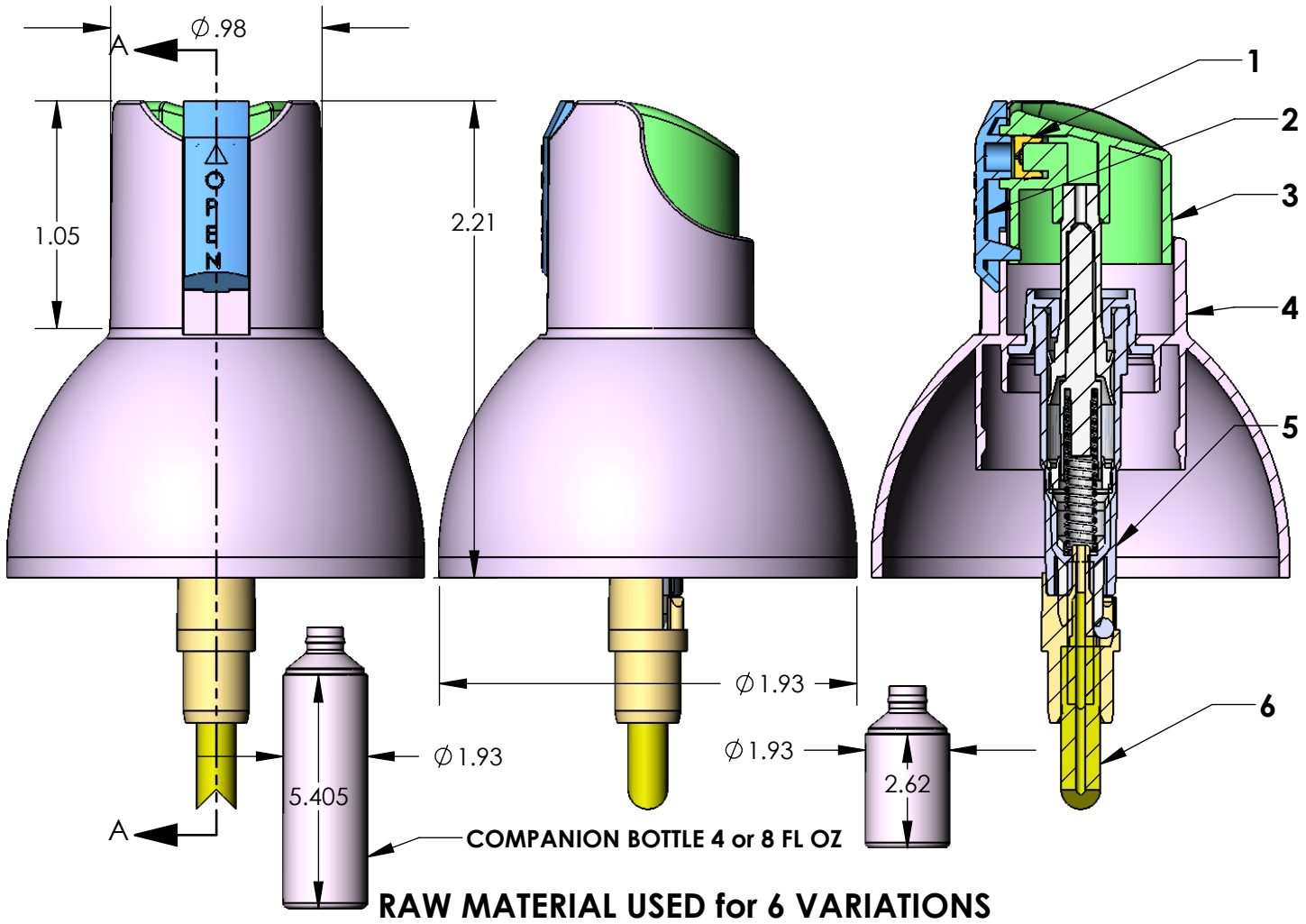


PUMP OPTIONS	FEATURE OPTIONS	SPRAY OPTIONS
	ANTICLOG	NARROW SPRAY
180 mcl standard spray	COMPANION BOTTLE 8 FL OZ	WIDE SPRAY
	COMPANION BOTTLE 4 FL OZ	
180 mcl up and down spray		
180 mcl high density seal		



ITEM	NAME	PART #	MATERIAL
1	INSERT	PE001, PE002	ACETAL
2	ANTICLOG SEAL	MD003	POLYPRO
3	ACTUATOR	MA008	HDPE
4	CAP	MB010	POLYPRO
5	PUMP	SEE PUMP SHEET	SEE PUMP SHEET
6	DIP TUBE	PT001, PT003, PT005, PT007	LDPE, HDPE

<p>PROPRIETARY AND CONFIDENTIAL</p> <p>THE INFORMATION CONTAINED IN THIS DRAWING IS THE SOLE PROPERTY OF PACKAGING CONCEPTS ASSOC.,LLC. ANY REPRODUCTION IN PART OR AS A WHOLE WITHOUT THE WRITTEN PERMISSION OF PACKAGING CONCEPTS ASSOC.,LLC IS PROHIBITED.</p>			<p>DIMENSIONS ARE IN INCHES</p> <p>TOLERANCES:</p> <p>FRACTIONAL ±</p> <p>ANGULAR: MACH ± BEND ±</p> <p>TWO PLACE DECIMAL ±</p> <p>THREE PLACE DECIMAL ±</p>	NAME	DATE	<p>PACKAGING CONCEPTS ASSOC., LLC</p> <p>230 Ella Grasso Avenue</p> <p>Torrington, Connecticut 06790</p> <p>SNAP-ON SPRAYER</p> <p>AC910</p> <p>ANTICLOG SPRAY</p>	
				DRAWN	HWD		5/23/16
				CHECKED			
				ENG APPR.			
				MFG APPR.			
				Q.A.			
				COMMENTS:			
				USED WITH COMPANION BOTTLE			
	NEXT ASSY	USED ON	FINISH	SIZE	DWG. NO.	REV.	
				A	AC910 Anticlog	A	
	APPLICATION		DO NOT SCALE DRAWING	SCALE:1:1	WEIGHT:	SHEET 1 OF 1	