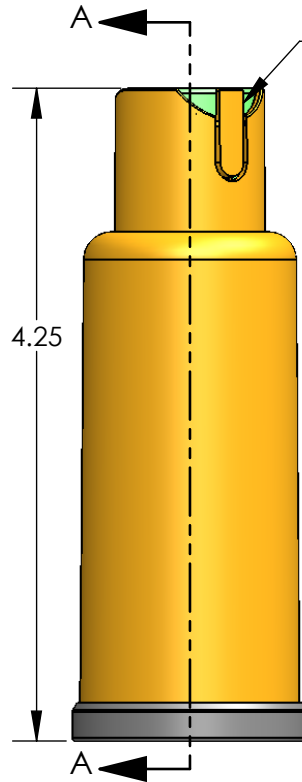
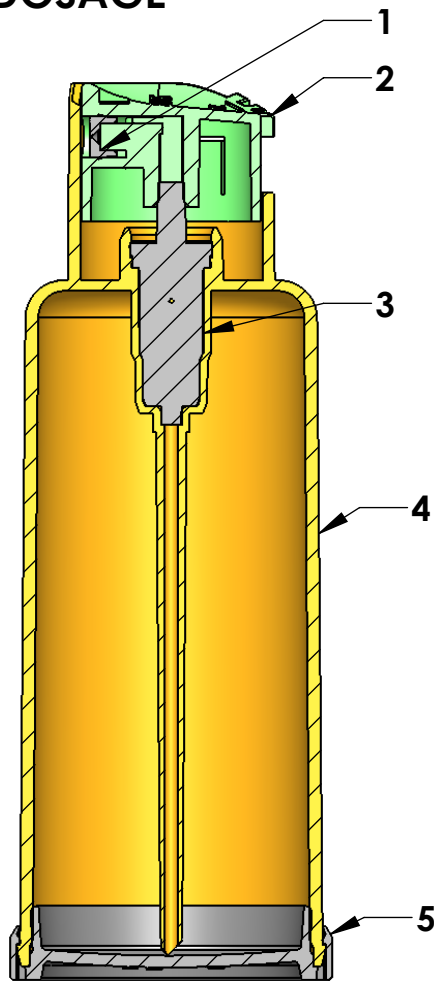


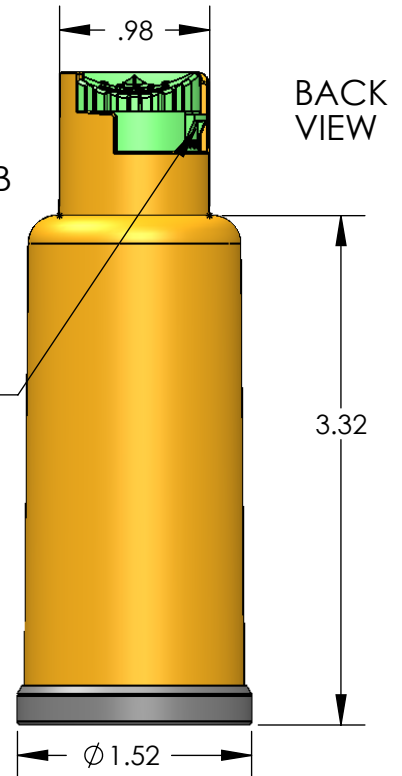
**ARV903**  
**2 FL OZ MPAK**  
**CHILD RESISTANT**  
**FLEX TAB LOCK**  
**100 OR 130 MCL**  
**DOSAGE**

NUMBER	DOSAGE	SPRAY
ARV903B-000-1N	100 MCL	NARROW
ARV903B-000-2G	100 MCL	WIDE
ARV903C-000-1N	130 MCL	NARROW
ARV903C-000-2G	130 MCL	WIDE

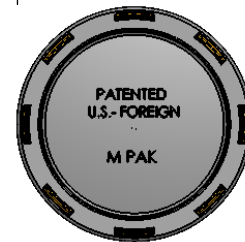


TEAR-OFF TAB

1 PIECE  
CHILD  
RESISTANT  
LOCKING  
FLEX TAB



BACK  
VIEW



**TABLE OF RAW MATERIAL USED**

ITEM	COMPONENT	PART NUMBER	MATERIAL
1	SPRAY INSERT	PE001	ACETAL
	SPRAY INSERT	PE002	ACETAL
2	ACTUATOR	MA046A	ACETAL
	ACTUATOR	MA047A	ACETAL
3	PUMP VP4E-100	19712	SEE DRAWING
	PUMP VP4E-130	20546	SEE DRAWING
4	BODY	CA	POLYPROPYLENE
5	CLOSURE	06-MC003-01	POLYPROPYLENE

<p><b>PROPRIETARY AND CONFIDENTIAL</b>          THE INFORMATION CONTAINED IN THIS DRAWING IS THE SOLE PROPERTY OF PACKAGING CONCEPTS ASSOC.,LLC. ANY REPRODUCTION IN PART OR AS A WHOLE WITHOUT THE WRITTEN PERMISSION OF PACKAGING CONCEPTS ASSOC.,LLC IS PROHIBITED.</p>			<p>DIMENSIONS ARE IN INCHES          TOLERANCES:          FRACTIONAL ±          ANGULAR: MACH ± BEND ±          TWO PLACE DECIMAL ±          THREE PLACE DECIMAL ±</p>	NAME	DATE	<p><b>PACKAGING CONCEPTS ASSOC., LLC</b>          230 Ella Grasso Avenue          Torrington, Connecticut 06790</p> <p><b>MPAK</b>  <b>2 FL OZ</b>          CHILD RESISTANT FLEX TAB          VP4E PUMP</p>	
				DRAWN	HWD		7/20/16
				CHECKED			
				ENG APPR.			
				MFG APPR.			
				Q.A.			
				COMMENTS:			
	NEXT ASSY	USED ON	FINISH			SIZE <b>A</b>	
	APPLICATION		DO NOT SCALE DRAWING			DWG. NO. <b>ARV903</b>	
						SCALE:1:1	
						WEIGHT:	
						SHEET 1 OF 1	