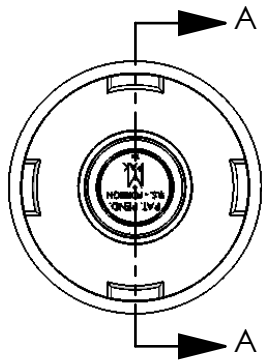
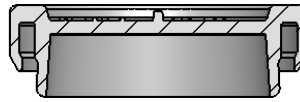


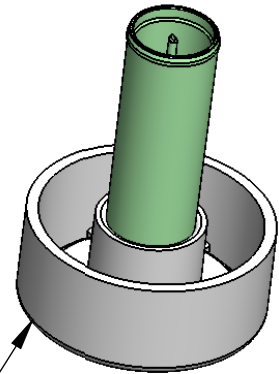
# FILLING 1/2 FL OZ MPAK



CLOSURE (MC001C)



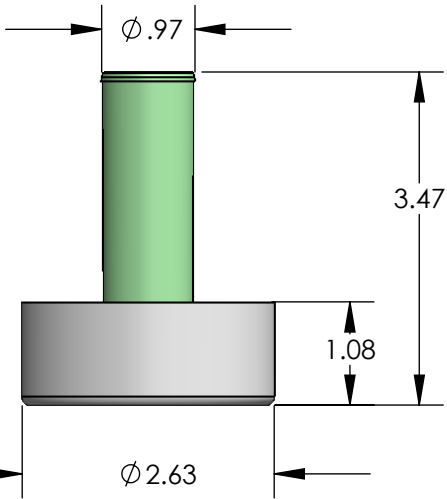
SNAP FIT CLOSURE



FILL 1/2 FL OZ

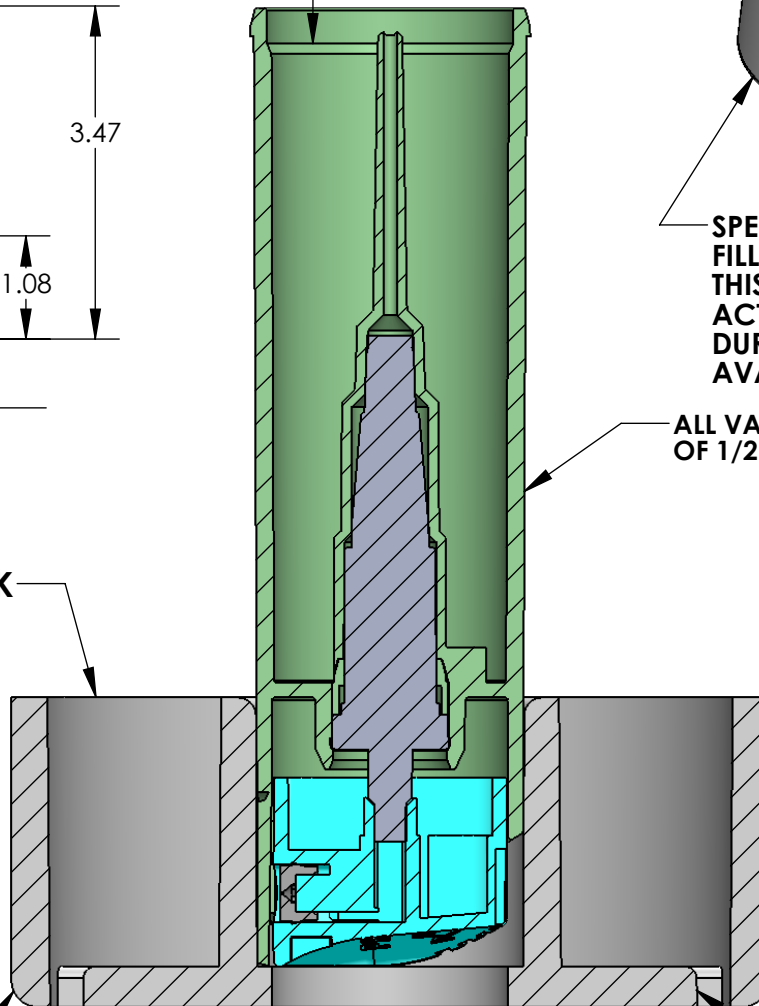
SPECIAL PUCK FOR FILLING AND CAPPING THIS PUCK PREVENTS ACTUATION OF PUMP DURING CAPPING. AVAILABLE FROM PCA.

ALL VARIATIONS OF 1/2 OZ MPAKS



PUCK A FOR ALL 1/2 OZ MPAK

SECTION A-A  
SCALE 1.5 : 1



POLYPROPYLENE

DRAIN HOLES

**PROPRIETARY AND CONFIDENTIAL**  
THE INFORMATION CONTAINED IN THIS DRAWING IS THE SOLE PROPERTY OF PACKAGING CONCEPTS ASSOC.,LLC. ANY REPRODUCTION IN PART OR AS A WHOLE WITHOUT THE WRITTEN PERMISSION OF PACKAGING CONCEPTS ASSOC.,LLC IS PROHIBITED.

		DIMENSIONS ARE IN INCHES TOLERANCES: FRACTIONAL ± ANGULAR: MACH ± BEND ± TWO PLACE DECIMAL ± THREE PLACE DECIMAL ±
		MATERIAL
		FINISH
NEXT ASSY	USED ON	
APPLICATION		DO NOT SCALE DRAWING

	NAME	DATE
DRAWN	HWD	4/16/16
CHECKED		
ENG APPR.		
MFG APPR.		
Q.A.		
COMMENTS:		
USE PUCK "A"		

<b>PACKAGING CONCEPTS ASSOC., LLC</b> 230 Ella Grasso Avenue Torrington, Connecticut 06790		
<b>FILLING / CAPPING</b> <b>1/2 FL OZ MPAK</b>		
SIZE <b>A</b>	DWG. NO. HALF OZ FILLING	REV.
SCALE:1:2	WEIGHT:	SHEET 1 OF 1