

ACV902

**1 FL OZ MPAK
STANDARD
TWIST LOCK
70,100 OR 130 MCL
DOSAGE**

NUMBER	DOSAGE	SPRAY
ACV902A-000-1N	70 MCL	NARROW
ACV902A-000-2G	70 MCL	WIDE
ACV902B-000-1N	100 MCL	NARROW
ACV902B-000-2G	100 MCL	WIDE
ACV902C-000-1N	130 MCL	NARROW
ACV902C-000-2G	130 MCL	WIDE

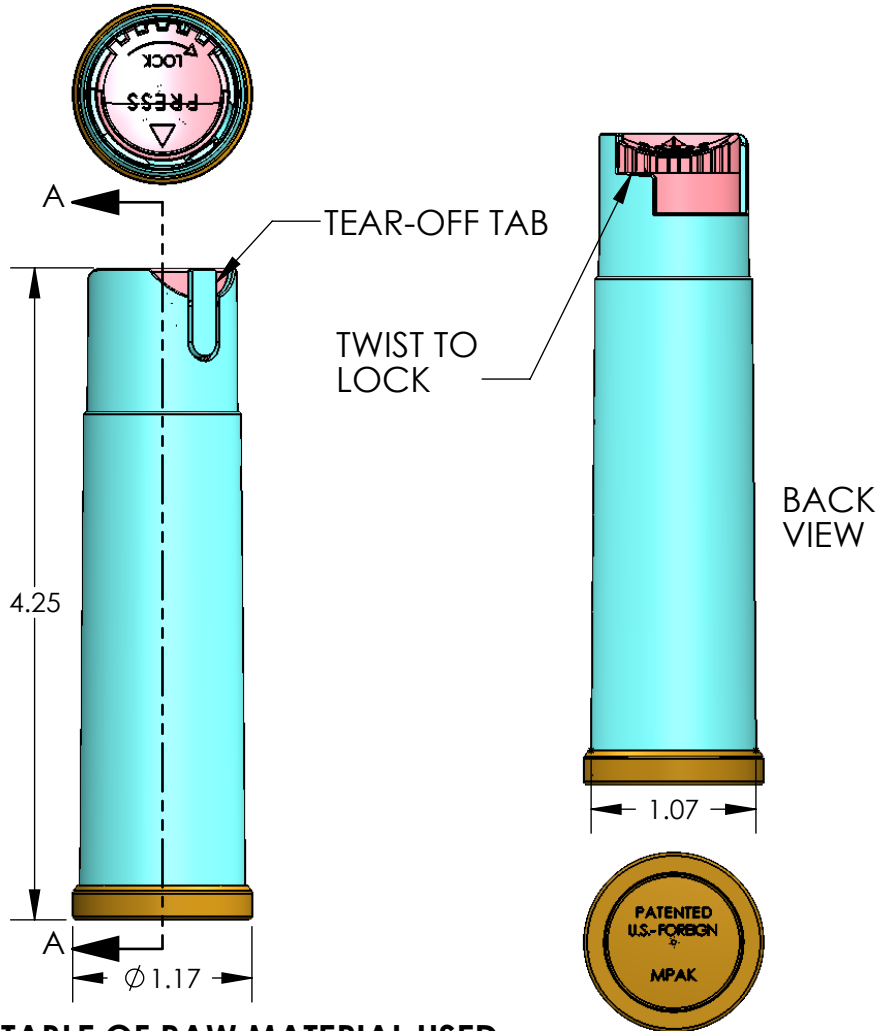
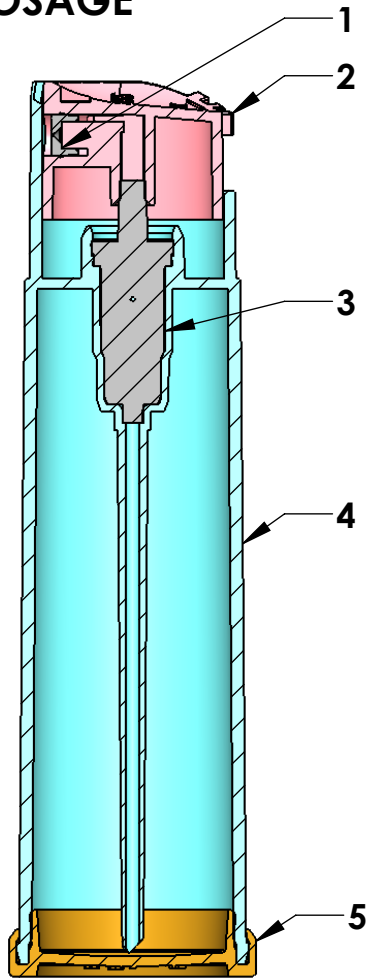


TABLE OF RAW MATERIAL USED

ITEM	COMPONENT	PART NUMBER	MATERIAL	TRADE NAME
1	SPRAY INSERT	PE001	CELCON	M90
	SPRAY INSERT	PE002	CELCON	M90
2	ACTUATOR	MA043	HDPE	M5562
	ACTUATOR	MA044A	HDPE	M5562
	ACTUATOR	MA045A	HDPE	M5562
3	PUMP VP4E-100	19711	SEE DRAWING	VALIOS
	PUMP VP4E-100	19712	SEE DRAWING	VALIOS
	PUMP VP4E-130	20546	SEE DRAWING	VALIOS
4	BODY	BA	POLYPROPYLENE	FINA 3620WZ
5	CLOSURE	MC002A	POLYPROPYLENE	FINA 3620WZ

<p>PROPRIETARY AND CONFIDENTIAL THE INFORMATION CONTAINED IN THIS DRAWING IS THE SOLE PROPERTY OF PACKAGING CONCEPTS ASSOC.,LLC. ANY REPRODUCTION IN PART OR AS A WHOLE WITHOUT THE WRITTEN PERMISSION OF PACKAGING CONCEPTS ASSOC.,LLC IS PROHIBITED.</p>			<p>DIMENSIONS ARE IN INCHES TOLERANCES: FRACTIONAL ± ANGULAR: MACH ± BEND ± TWO PLACE DECIMAL ± THREE PLACE DECIMAL ±</p>	NAME	DATE	<p>PACKAGING CONCEPTS ASSOC., LLC 230 Ella Grasso Avenue Torrington, Connecticut 06790</p> <p>MPAK 1 FL OZ STANDARD TWIST LOCK VP4E PUMP</p>		
				DRAWN	HWD		7/19/16	
				CHECKED				
				ENG APPR.				
				MFG APPR.				
				Q.A.		<p>SIZE A DWG. NO. ACV902 REV.</p>		
				COMMENTS:				
	NEXT ASSY	USED ON	FINISH			SCALE:1:1	WEIGHT:	SHEET 1 OF 1
	APPLICATION		DO NOT SCALE DRAWING					