

ART903

**2 FL OZ MPAK
CHILD RESISTANT
BUTTON LOCK
80 OR 130 MCL
DOSAGE**

NUMBER	DOSAGE	SPRAY
ART903A-000-1N	80 MCL	NARROW
ART903A-000-2G	80 MCL	WIDE
ART903B-000-1N	130 MCL	NARROW
ART903B-000-2G	130 MCL	WIDE

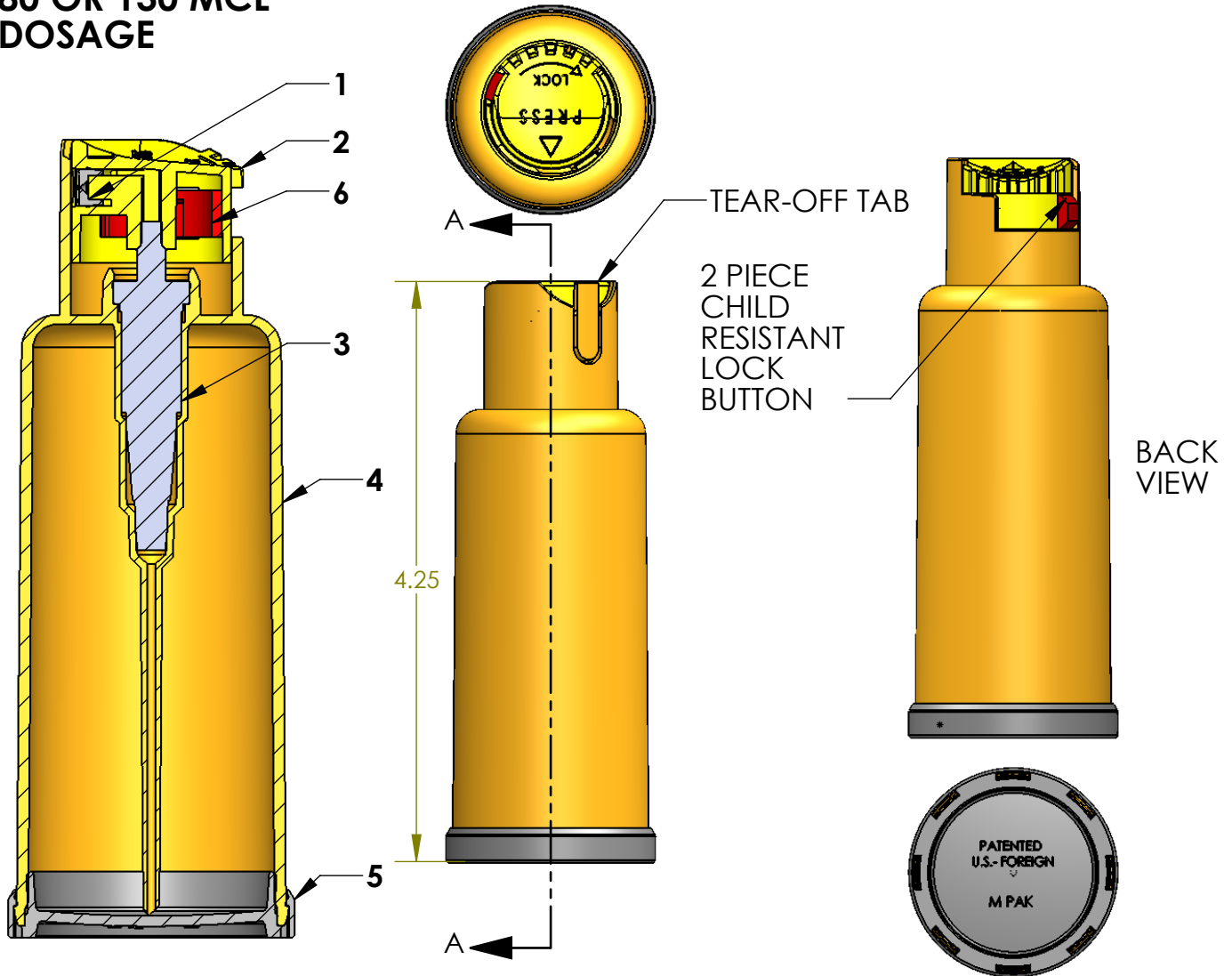


TABLE OF RAW MATERIAL USED

ITEM	COMPONENT	PART NUMBER	MATERIAL
1	SPRAY INSERT	PE001	ACETAL
	SPRAY INSERT	PE002	ACETAL
2	ACTUATOR	16-MA015-02	ACETAL
	ACTUATOR	16-MA021-02	ACETAL
3	PUMP 32MSLP-80	2563-CD	SEE DRAWING
	PUMP 32MSLP-130	2564-CD	SEE DRAWING
4	BODY	06-MB003-02	POLYPROPYLENE
5	CLOSURE	06-MC003-01	POLYPROPYLENE
6	BUTTON	MT-000	ACETAL

<p>PROPRIETARY AND CONFIDENTIAL THE INFORMATION CONTAINED IN THIS DRAWING IS THE SOLE PROPERTY OF PACKAGING CONCEPTS ASSOC.,LLC. ANY REPRODUCTION IN PART OR AS A WHOLE WITHOUT THE WRITTEN PERMISSION OF PACKAGING CONCEPTS ASSOC.,LLC IS PROHIBITED.</p>			DIMENSIONS ARE IN INCHES TOLERANCES: FRACTIONAL ± ANGULAR: MACH ± BEND ± TWO PLACE DECIMAL ± THREE PLACE DECIMAL ±	NAME	DATE	<p>PACKAGING CONCEPTS ASSOC., LLC 230 Ella Grasso Avenue Torrington, Connecticut 06790</p> <p>MPAK 2 FL OZ CHILD RESISTANT BUTTON 32MSLP PUMP</p>	
			MATERIAL	DRAWN	HWD		7/24/16
			FINISH	CHECKED			
			DO NOT SCALE DRAWING	ENG APPR.			
	NEXT ASSY	USED ON		MFG APPR.			
	APPLICATION			Q.A.			
				COMMENTS:			
				SIZE	DWG. NO.	REV.	
				A	ART903	A	
				SCALE:1:1	WEIGHT:	SHEET 1 OF 1	