

ARV902

**1 FL OZ MPAK
CHILD RESISTANT
FLEX TAB LOCK
100 OR 130 MCL
DOSAGE**

NUMBER	DOSAGE	SPRAY
ARV902B-000-1N	100 MCL	NARROW
ARV902B-000-2G	100 MCL	WIDE
ARV902C-000-1N	130 MCL	NARROW
ARV902C-000-2G	130 MCL	WIDE

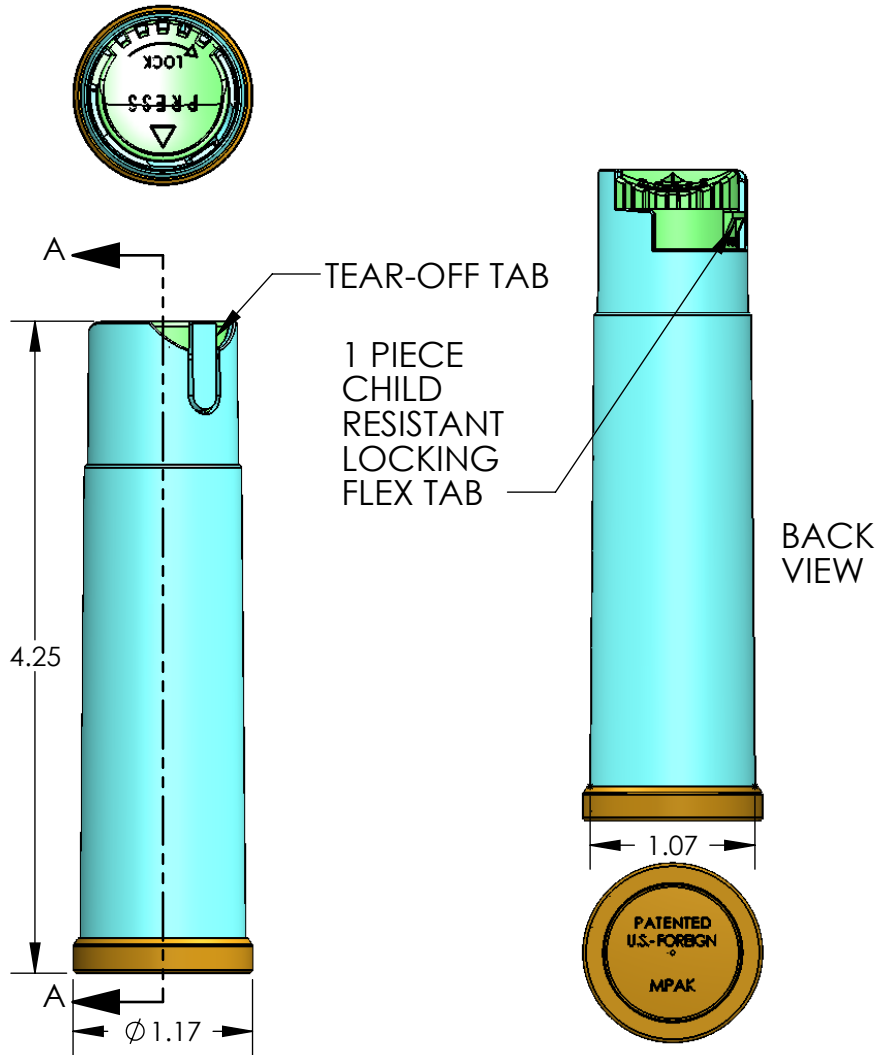
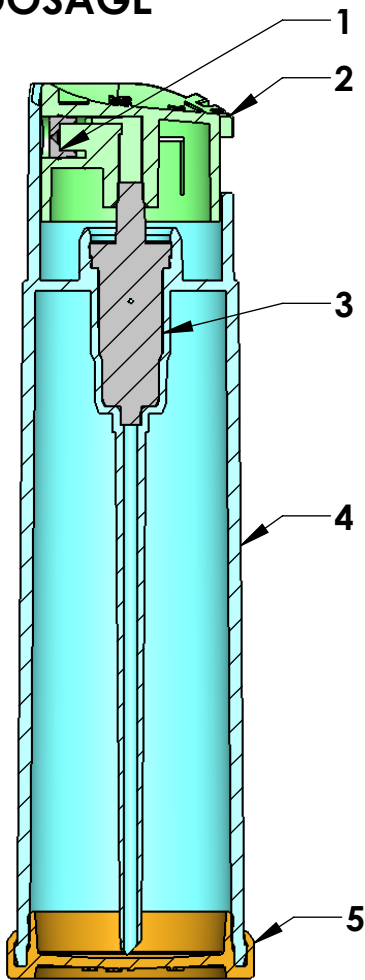


TABLE OF RAW MATERIAL USED

ITEM	COMPONENT	PART NUMBER	MATERIAL	TRADE NAME
1	SPRAY INSERT	PE001	CELCON	M90
	SPRAY INSERT	PE002	CELCON	M90
2	ACTUATOR	MA046A	CELCON	M90
	ACTUATOR	MA047A	CELCON	M90
3	PUMP VP4E-100	19712	SEE DRAWING	VALIOS
	PUMP VP4E-130	20546	SEE DRAWING	VALIOS
4	BODY	BA	POLYPROPYLENE	FINA 3620WZ
5	CLOSURE	MC002A	POLYPROPYLENE	FINA 3620WZ

<p>PROPRIETARY AND CONFIDENTIAL</p> <p>THE INFORMATION CONTAINED IN THIS DRAWING IS THE SOLE PROPERTY OF PACKAGING CONCEPTS ASSOC.,LLC. ANY REPRODUCTION IN PART OR AS A WHOLE WITHOUT THE WRITTEN PERMISSION OF PACKAGING CONCEPTS ASSOC.,LLC IS PROHIBITED.</p>			DIMENSIONS ARE IN INCHES TOLERANCES: FRACTIONAL ± ANGULAR: MACH ± BEND ± TWO PLACE DECIMAL ± THREE PLACE DECIMAL ±	NAME	DATE	<p>PACKAGING CONCEPTS ASSOC., LLC 230 Ella Grasso Avenue Torrington, Connecticut 06790</p> <p>MPAK 1 FL OZ CHILD RESISTANT FLEX TAB VP4E PUMP</p>	
			MATERIAL	DRAWN	HWD		7/19/16
	NEXT ASSY	USED ON	FINISH	CHECKED			
	APPLICATION		DO NOT SCALE DRAWING	ENG APPR.			
				MFG APPR.			
				Q.A.			
				COMMENTS:			
				SIZE	DWG. NO.	REV.	
				A	ARV902		
				SCALE:1:1	WEIGHT:	SHEET 1 OF 1	