

**SECTION A-A  
SCALE 4 : 1**

**SECTION B-B  
SCALE 4 : 1**

**PROPRIETARY AND CONFIDENTIAL**  
THE INFORMATION CONTAINED IN THIS DRAWING IS THE SOLE PROPERTY OF **Packaging Concepts Assoc., LLC**. ANY REPRODUCTION IN PART OR AS A WHOLE WITHOUT THE WRITTEN PERMISSION OF **Packaging Concepts Assoc., LLC** IS PROHIBITED.

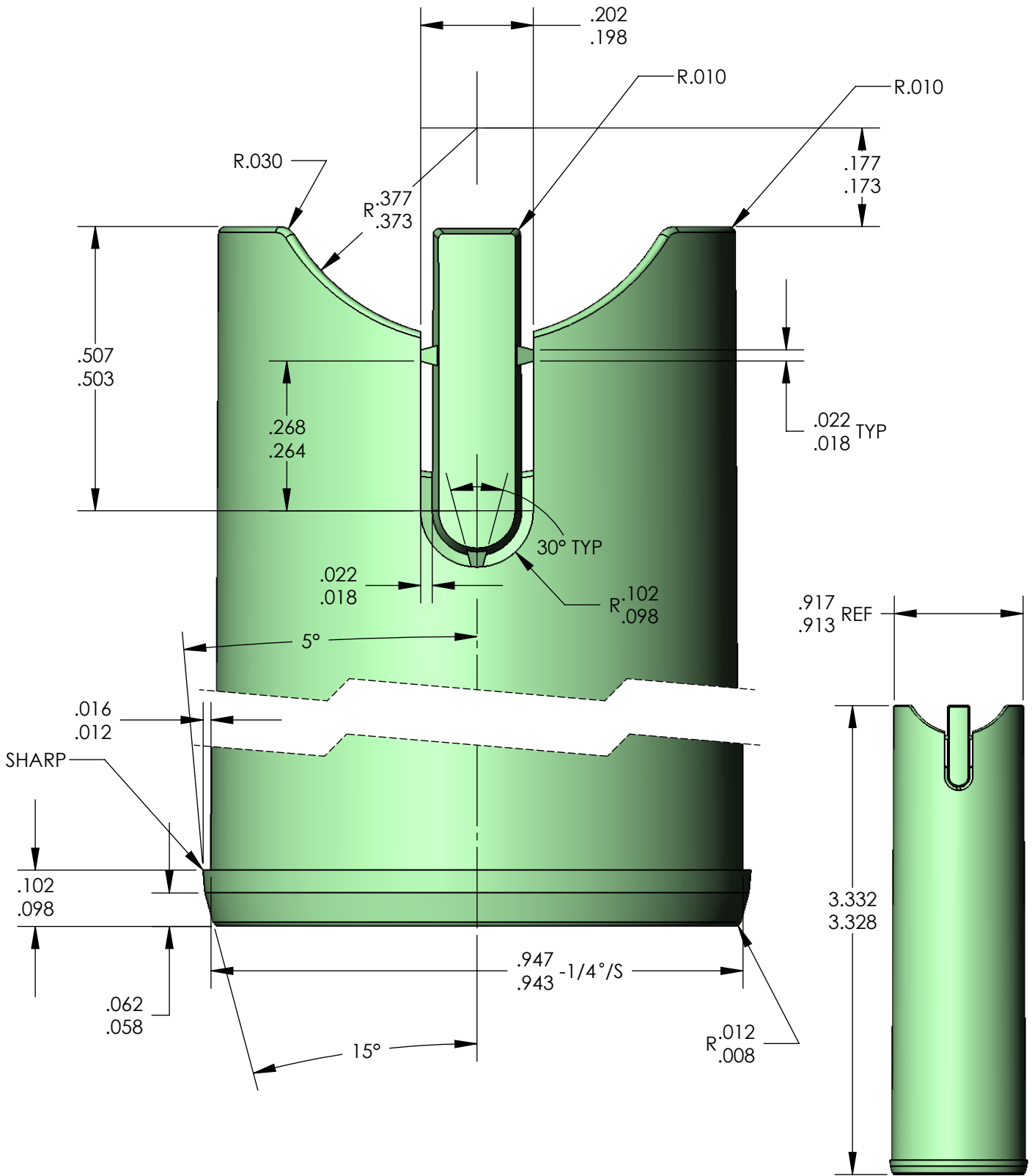
DIMENSIONS ARE IN INCHES TOLERANCES: FRACTIONAL ± ANGULAR: MACH ± BEND ± TWO PLACE DECIMAL ± THREE PLACE DECIMAL ±	
MATERIAL	Polypropylene
FINISH	
NEXT ASSY	USED ON
APPLICATION	DO NOT SCALE DRAWING

NAME	HWD	DATE	4/8/08
DRAWN			
CHECKED			
ENG APPR.			
MFG APPR.			
Q.A.			
COMMENTS:			

**PACKAGING CONCEPTS ASSOC., LLC**  
BOYNTON BEACH, FLORIDA

**BODY**  
**1/2 FL OZ MPAK**  
**MS32LP PUMP**

SIZE	DWG. NO.	REV.
<b>A</b>	08-MB001-02	<b>A</b>
SCALE: 1:1	WEIGHT:	SHEET 1 OF 6

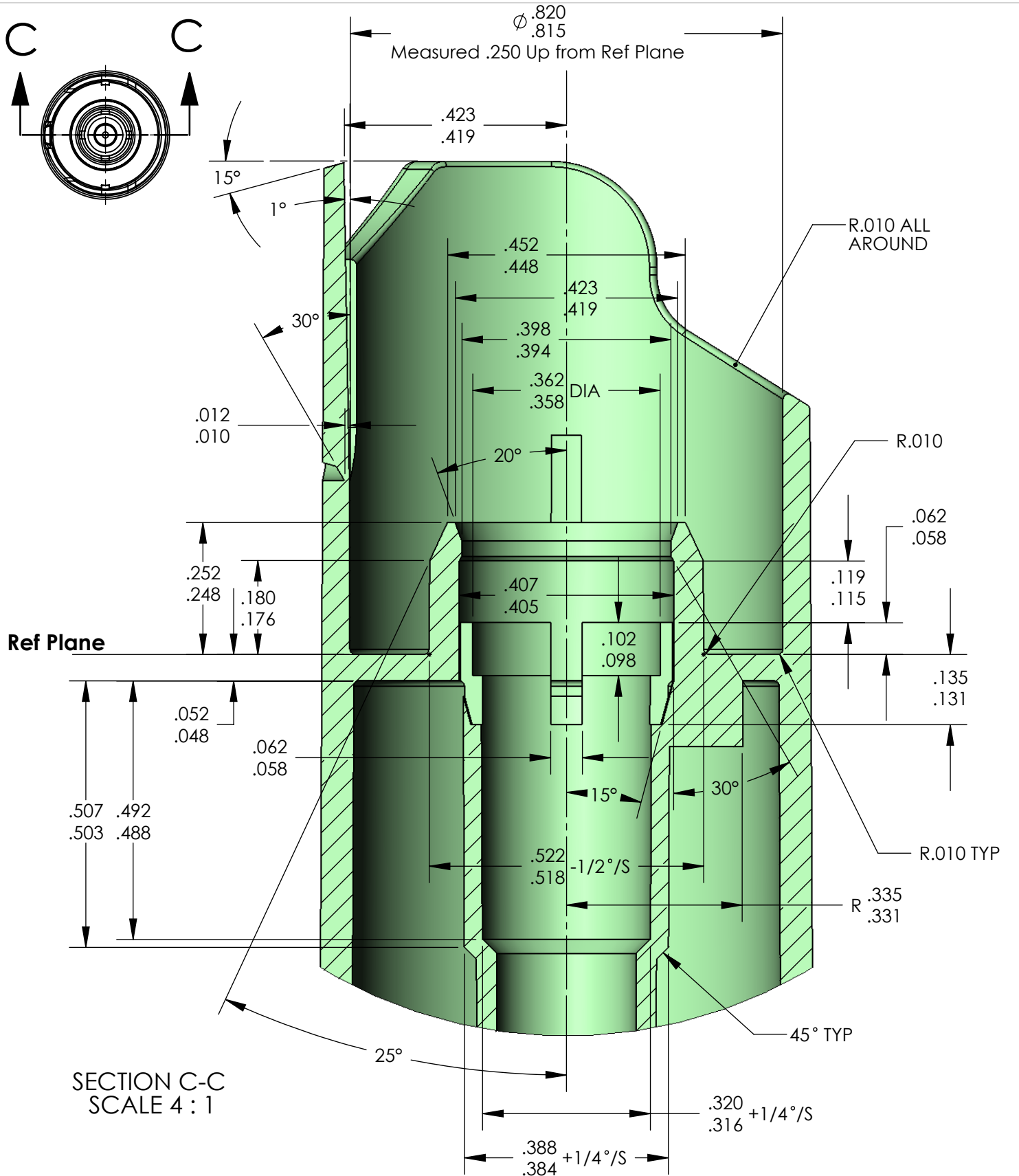


**PROPRIETARY AND CONFIDENTIAL**  
 THE INFORMATION CONTAINED IN THIS DRAWING IS THE SOLE PROPERTY OF Packaging Concepts Assoc., LLC. ANY REPRODUCTION IN PART OR AS A WHOLE WITHOUT THE WRITTEN PERMISSION OF Packaging Concepts Assoc., LLC IS PROHIBITED.

		DIMENSIONS ARE IN INCHES TOLERANCES: FRACTIONAL ± ANGULAR: MACH ± BEND ± TWO PLACE DECIMAL ± THREE PLACE DECIMAL ±	
		MATERIAL	
		FINISH	
NEXT ASSY	USED ON		
APPLICATION		DO NOT SCALE DRAWING	

NAME	DATE
DRAWN HWD	4/8/08
CHECKED	
ENG APPR.	
MFG APPR.	
Q.A.	
COMMENTS:	

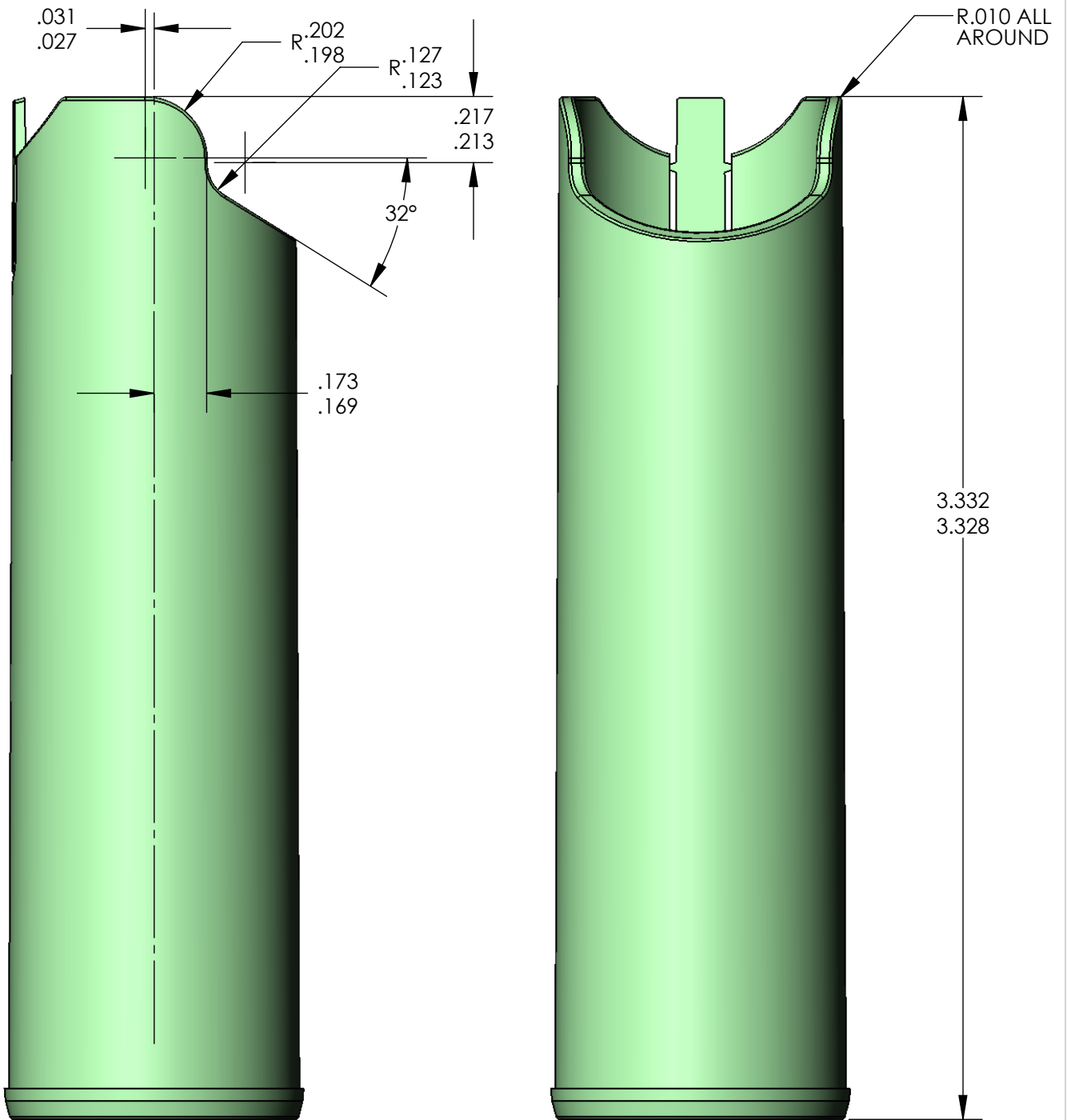
<b>PACKAGING CONCEPTS ASSOC., LLC</b> BOYNTON BEACH, FLORIDA	
<b>BODY</b> <b>1/2 FL OZ MPAK</b> <b>MS32LP PUMP</b>	
SIZE <b>A</b>	DWG. NO. 08-MB001-02
SCALE: 1:1	WEIGHT: SHEET 2 OF 6
REV. <b>A</b>	



SECTION C-C  
SCALE 4 : 1

DIMENSIONS ARE IN INCHES TOLERANCES: FRACTIONAL ± ANGULAR: MACH ± BEND ± TWO PLACE DECIMAL ± THREE PLACE DECIMAL ±		NAME	DATE	<b>PACKAGING CONCEPTS ASSOC.,LLC</b> BOYNTON BEACH, FLORIDA		
		DRAWN	HWD			4/8/08
MATERIAL		CHECKED		<b>BODY</b> <b>1/2 FL OZ MPAK</b> MS32LP PUMP		
		ENG APPR.				
FINISH		MFG APPR.				
		Q.A.				
NEXT ASSY	USED ON	COMMENTS:		SIZE	DWG. NO.	REV.
APPLICATION	DO NOT SCALE DRAWING			<b>A</b>	08-MB001-02	<b>A</b>
				SCALE:1:1	WEIGHT:	SHEET 3 OF 6

**PROPRIETARY AND CONFIDENTIAL**  
 THE INFORMATION CONTAINED IN THIS DRAWING IS THE SOLE PROPERTY OF **Packaging Concepts Assoc.,LLC**. ANY REPRODUCTION IN PART OR AS A WHOLE WITHOUT THE WRITTEN PERMISSION OF **Packaging Concepts Assoc.,LLC** IS PROHIBITED.

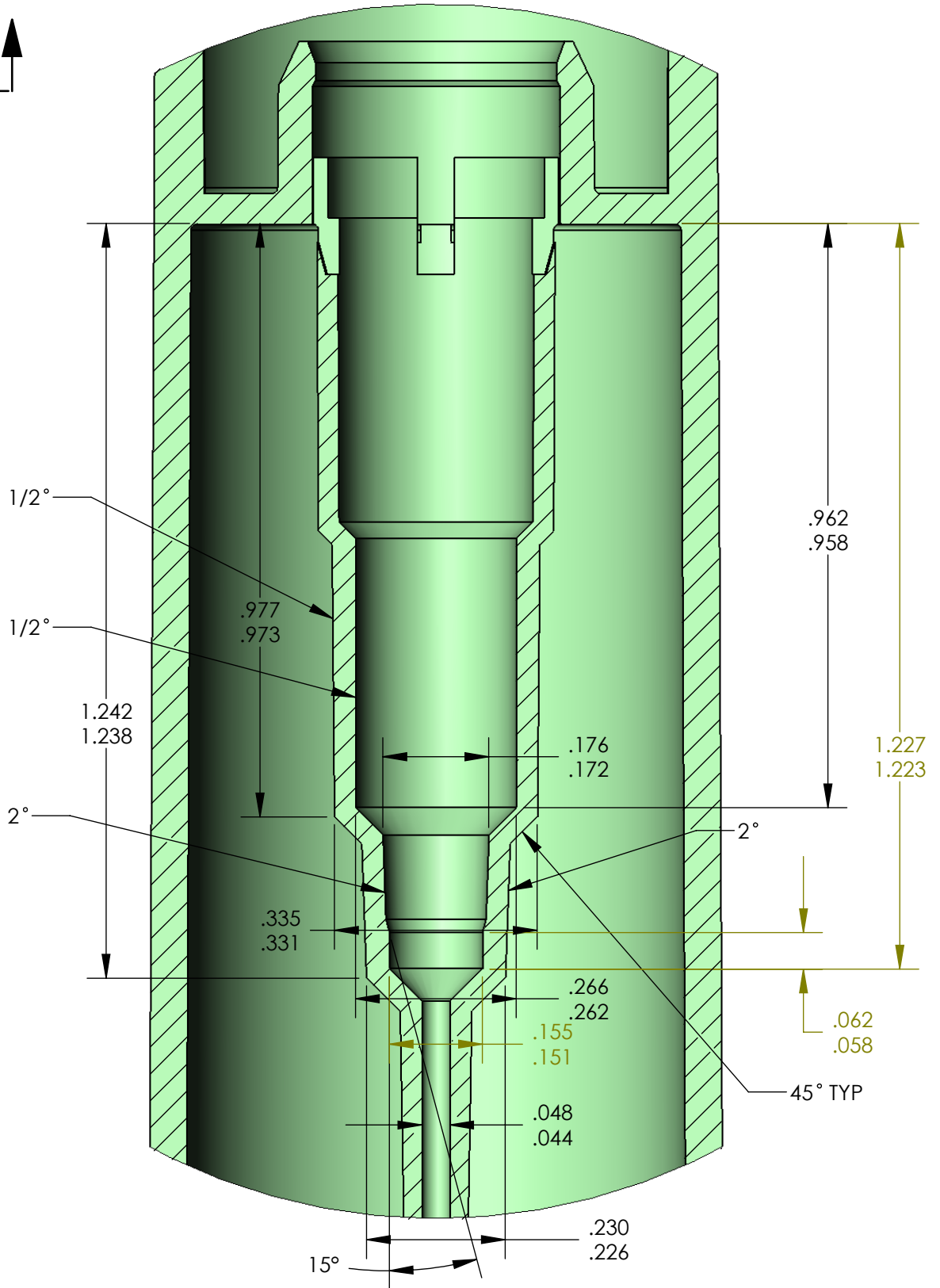
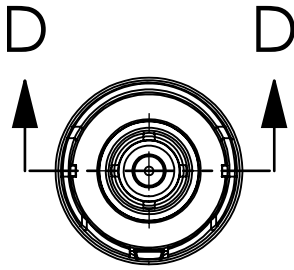


**PROPRIETARY AND CONFIDENTIAL**  
 THE INFORMATION CONTAINED IN THIS DRAWING IS THE SOLE PROPERTY OF Packaging Concepts Assoc., LLC. ANY REPRODUCTION IN PART OR AS A WHOLE WITHOUT THE WRITTEN PERMISSION OF Packaging Concepts Assoc., LLC IS PROHIBITED.

		DIMENSIONS ARE IN INCHES TOLERANCES: FRACTIONAL ± ANGULAR: MACH ± BEND ± TWO PLACE DECIMAL ± THREE PLACE DECIMAL ±
		MATERIAL
NEXT ASSY	USED ON	FINISH
APPLICATION		DO NOT SCALE DRAWING

	NAME	DATE
DRAWN	HWD	4/8/08
CHECKED		
ENG APPR.		
MFG APPR.		
Q.A.		
COMMENTS:		

<b>PACKAGING CONCEPTS ASSOC., LLC</b> BOYNTON BEACH, FLORIDA		
<b>BODY</b> <b>1/2 FL OZ MPAK</b> <b>MS32LP PUMP</b>		
SIZE	DWG. NO.	REV.
<b>A</b>	08-MB001-02	<b>A</b>
SCALE: 1:1	WEIGHT:	SHEET 4 OF 6

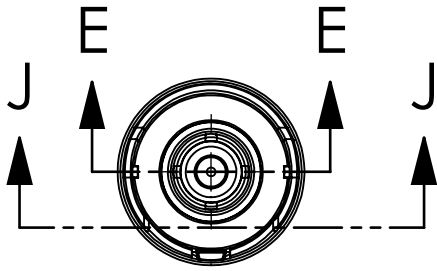


**PROPRIETARY AND CONFIDENTIAL**  
 THE INFORMATION CONTAINED IN THIS DRAWING IS THE SOLE PROPERTY OF Packaging Concepts Assoc., LLC. ANY REPRODUCTION IN PART OR AS A WHOLE WITHOUT THE WRITTEN PERMISSION OF Packaging Concepts Assoc., LLC IS PROHIBITED.

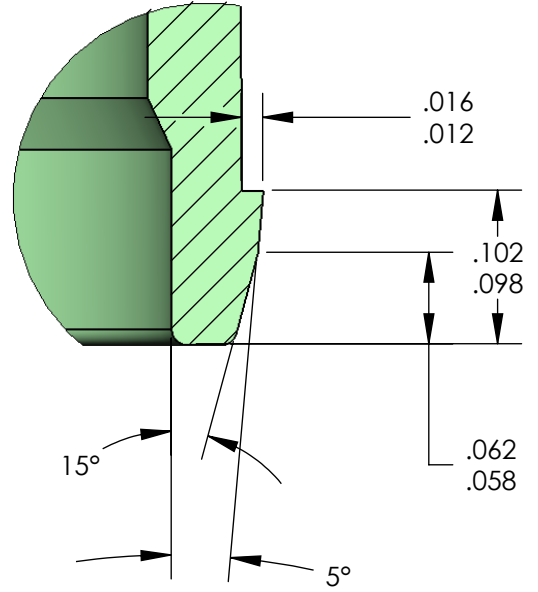
		DIMENSIONS ARE IN INCHES TOLERANCES: FRACTIONAL ± ANGULAR: MACH ± BEND ± TWO PLACE DECIMAL ± THREE PLACE DECIMAL ±	
		MATERIAL	
		FINISH	
NEXT ASSY	USED ON		
APPLICATION		DO NOT SCALE DRAWING	

NAME	DATE
HWD	4/8/08
CHECKED	
ENG APPR.	
MFG APPR.	
Q.A.	
COMMENTS:	

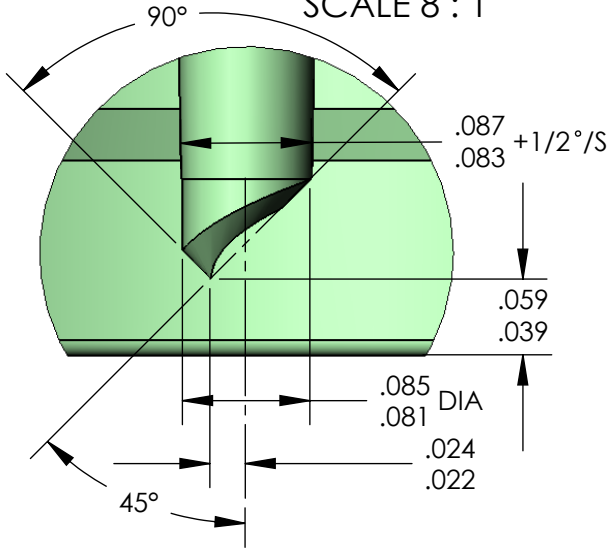
<b>PACKAGING CONCEPTS ASSOC., LLC</b> BOYNTON BEACH, FLORIDA		
<b>BODY</b> <b>1/2 FL OZ MPAK</b> <b>MS32LP PUMP</b>		
SIZE	DWG. NO.	REV.
<b>A</b>	08-MB001-02	<b>A</b>
SCALE: 1:1	WEIGHT:	SHEET 5 OF 6



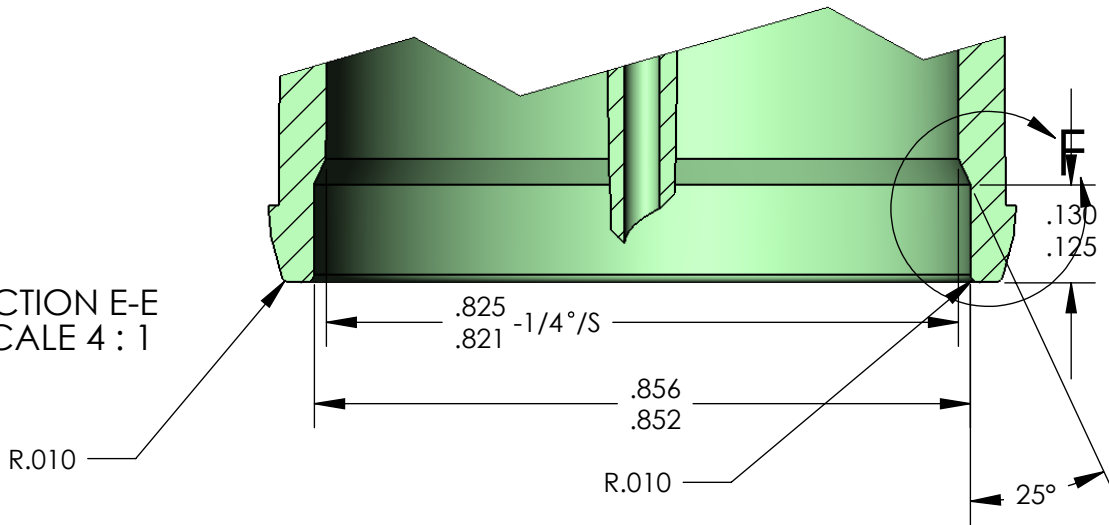
DETAIL F  
SCALE 8 : 1



SECTION J-J  
SCALE 8 : 1



SECTION E-E  
SCALE 4 : 1



**PROPRIETARY AND CONFIDENTIAL**  
THE INFORMATION CONTAINED IN THIS DRAWING IS THE SOLE PROPERTY OF **Packaging Concepts Assoc., LLC**. ANY REPRODUCTION IN PART OR AS A WHOLE WITHOUT THE WRITTEN PERMISSION OF **Packaging Concepts Assoc., LLC** IS PROHIBITED.

		DIMENSIONS ARE IN INCHES TOLERANCES: FRACTIONAL ± ANGULAR: MACH ± BEND ± TWO PLACE DECIMAL ± THREE PLACE DECIMAL ±	
		MATERIAL	
		FINISH	
NEXT ASSY	USED ON	APPLICATION	
		DO NOT SCALE DRAWING	

NAME	DATE
HWD	4/8/08
CHECKED	
ENG APPR.	
MFG APPR.	
Q.A.	
COMMENTS:	

<b>PACKAGING CONCEPTS ASSOC., LLC</b> BOYNTON BEACH, FLORIDA	
<b>BODY</b> <b>1/2 FL OZ MPAK</b> <b>MS32LP PUMP</b>	
SIZE <b>A</b>	DWG. NO. <b>08-MB001-02</b>
SCALE: 1:1	WEIGHT:
REV. <b>A</b>	SHEET 6 OF 6