

50/60HZ PCB MOUNT TRANSFORMERS - UI RANGE 14VA UI39X10.2 - 3910 SERIES

FEATURES:

115 V-230 V supply voltage by serie/parallel connection
Vacuum filling
Two compartments bobbins
Degree of protection IP 00

OPTIONS:

Bulk packaging is standard
Custom design available

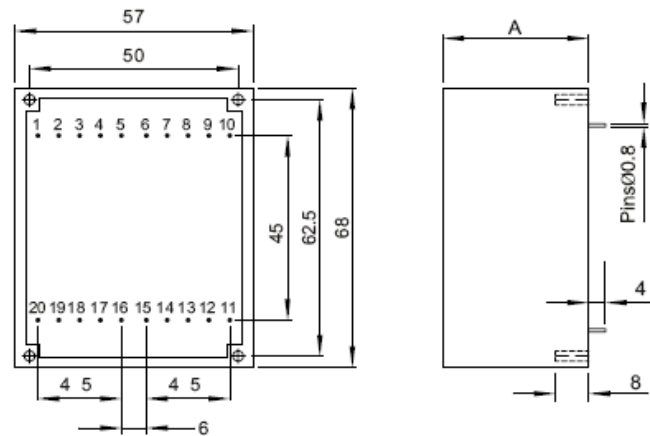
COMMON APPLICATIONS:

Medical equipments Industrial equipments
Industrial controls Test equipment
Industrial computers Avionics & telecom

ELECTRICAL CHARACTERISTICS

PRIMARY VOLTAGE: 115~230				
Part Number	Secondary voltage V	Secondary Current mA	No-load voltage V	Ambient Temperature
FAUI 391043	2 x 6	2 x1167	2 x7.5	T50B
FAUI 391044	2 x 9	2 x778	2 x10.9	T50B
FAUI 391045	2 x12	2 x583	2 x15.0	T50B
FAUI 391046	2 x15	2 x467	2 x18.7	T50B
FAUI 391047	2 x18	2 x389	2 x22.4	T50B
FAUI 391048	2 x24	2 x292	2 x30.2	T50B

PHYSICAL CHARACTERISTICS



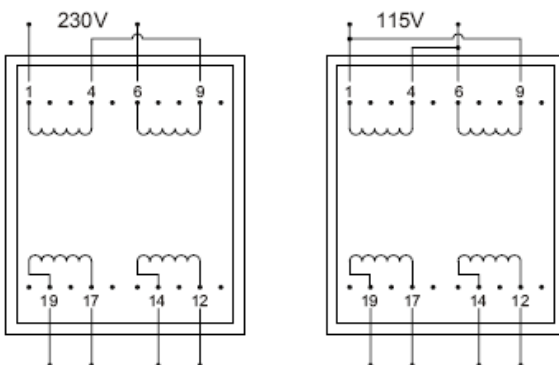
All dimensions in mm

TECHNICAL INFORMATION

Resin class UL 94 VO
Fuse protection in secondary winding (see diagram)
Insulation voltage 4 KV
100% tested production
Conform to EN 61558 Approval under process

CIRCAUIT	RATING	DIMENSION:A	WEIGHT(g)
FAUI39 8	10VA	A=22mm	285
FAUI39 10.2	14VA	A=24mm	335
FAUI39 13.5	18VA	A=27mm	405
FAUI39 17	24VA	A=31mm	260
FAUI39 21	30VA	A=35mm	550

Possible primary connections



Possible secondary connections

