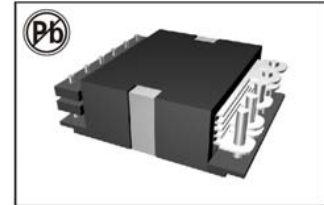


# Planar Transformer

## HIGH FREQUENCY 150W PLANAR TRANSFORMERS FATP25D SERIES



### FEATURES:

Power Rating Up to 150 Watts  
High Efficiency of Over 98%  
High Power Density of 600 Watts Per Cubic Inch  
Footprint 23.5 mm 20.10 mm  
Lower Profile of 9.12 mm  
High Isolation (operational) 1500 Vdc  
High Frequency 200 kHz-700 kHz  
Operating Temperature -40 to +125

### OPTIONS:

Weight: 11.60 grams  
Tape & Reel: 200/reel  
Tube: 18/tube

### COMMON APPLICATIONS:

High performance DC/DC converters.  
High efficiencies up to over 98 percent, high power density of 600 watts per cubic inch DC/DC converters. For forward, full-bridge, half-bridge and push-pull DC/DC converters.  
Input voltages between 18V and 75V, and output voltages from 52V down to 1.0V DC/DC converters.  
Telecommunications, industrial control systems, Automotive and heavy equipment vehicle systems

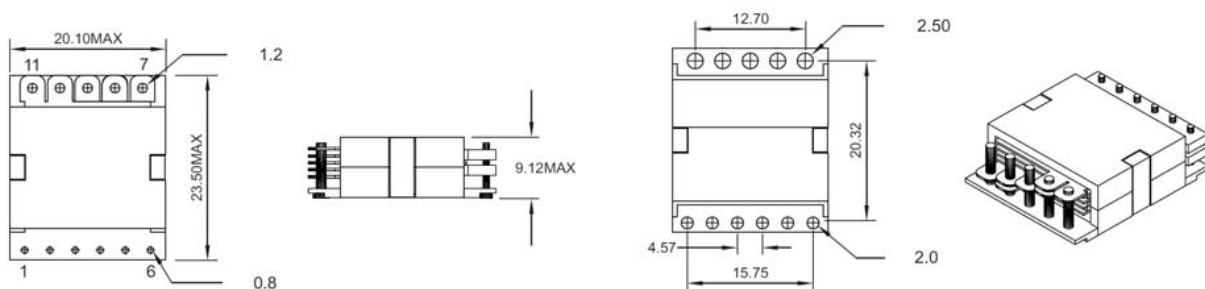
## ELECTRICAL CHARACTERISTICS

Part Number	Primary Inductance (uH Min)	Leakage Inductance (uH Max)	DC Resistance (m Ohm Max)			Secondary	Turns Ratio		Primary Second Hi-Pot	Figure	M. Height
			Primary				(A/B)	Secondary			
			A	B	AUX.						
FATP25D0802	161.0	0.43	18.0	18.0	N/A	0.85&0.85	4T/4T	1T&1T	1500VDC	A	9.12mm
FATP25D0902	204.0	0.43	18.0	20.0	N/A		4T/5T	1T&1T	1500VDC	A	9.12mm
FATP25D1002	252.0	0.48	20.0	20.0	N/A		5T/5T	1T&1T	1500VDC	A	9.12mm
FATP25D1102	304.0	0.55	20.0	25.0	N/A		5T/6T	1T&1T	1500VDC	A	9.12mm
FATP25D1202	362.0	0.60	25.0	25.0	N/A	1.70&1.70	6T/6T	1T&1T	1500VDC	A	9.12mm
FATP25D0803	161.0	0.43	18.0	18.0	N/A		4T/4T	2T&1T	1500VDC	B	9.12mm
FATP25D0903	204.0	0.43	18.0	20.0	N/A		4T/5T	2T&1T	1500VDC	B	9.12mm
FATP25D1003	252.0	0.48	20.0	20.0	N/A		5T/5T	2T&1T	1500VDC	B	9.12mm
FATP25D1103	304.0	0.55	20.0	25.0	N/A	7.00	5T/6T	2T&1T	1500VDC	B	9.12mm
FATP25D1203	362.0	0.60	25.0	25.0	N/A		6T/6T	2T&1T	1500VDC	B	9.12mm
FATP25D0804	161.0	0.43	18.0	18.0	N/A		4T/4T	(1T:1T:1T:1T)	1500VDC	C	9.12mm
FATP25D0904	204.0	0.43	18.0	20.0	N/A		4T/5T		1500VDC	C	9.12mm
FATP25D1004	252.0	0.48	20.0	20.0	N/A	5T/5T	1500VDC		C	9.12mm	
FATP25D1104	304.0	0.55	20.0	25.0	N/A	5T/6T	1500VDC		C	9.12mm	
FATP25D1204	362.0	0.60	25.0	25.0	N/A	6T/6T	1500VDC	C	9.12mm		

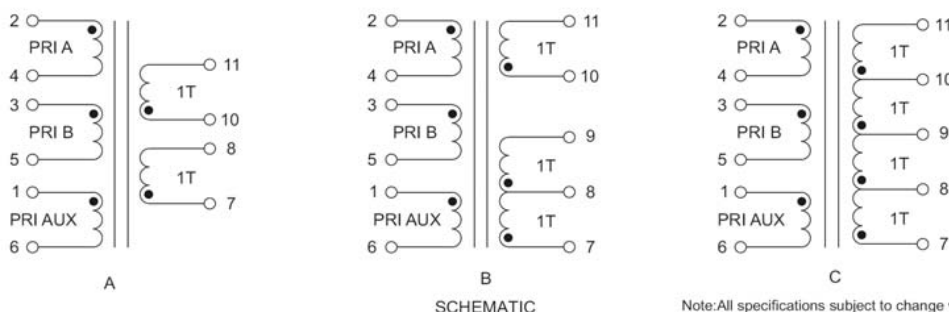
## TECHNICAL INFORMATION

- The inductance is measured with both primary windings connected in series Pin(2-5) with Pin(3-4) shorted.
- The leakage inductance is measured in winding Pin(2-4) with all other winding shorted.
- All specifications typical at TA=25 °C.

## PHYSICAL CHARACTERISTICS



### SUGGESTED PAD LAY-OUT



Note: All specifications subject to change without notice.