

## 50/60HZ PCB MOUNT TRANSFORMERS - UI RANGE 24VA UI39X17 - 3917 SERIES

### FEATURES:

115 V-230 V supply voltage by serie/parallel connection  
Vacuum filling  
Two compartments bobbins  
Degree of protection IP 00

### OPTIONS:

Bulk packaging is standard  
Custom design available

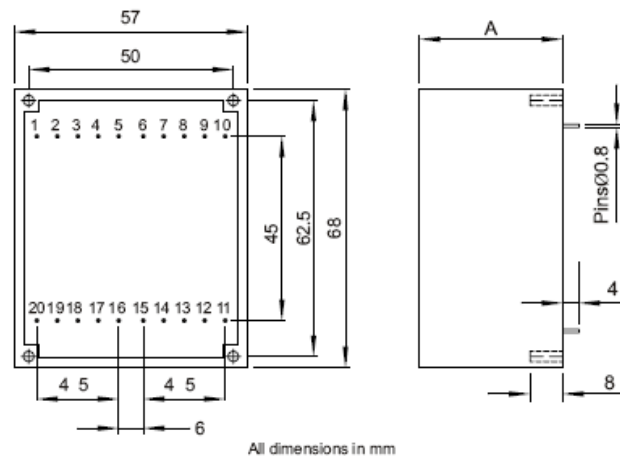
### COMMON APPLICATIONS:

Medical equipments Industrial equipments  
Industrial controls Test equipment  
Industrial computers Avionics & telecom

### ELECTRICAL CHARACTERISTICS

PRIMARY VOLTAGE: 115~230				
Part Number	Secondary voltage V	Secondary Current mA	No-load voltage V	Ambient Temperature
FAUI 391755	2 x 6	2 x 2000	2 x 7.1	T50B
FAUI 391756	2 x 9	2 x 1333	2 x 10.6	T50B
FAUI 391757	2 x 12	2 x 1000	2 x 14.1	T50B
FAUI 391758	2 x 15	2 x 800	2 x 17.6	T50B
FAUI 391759	2 x 18	2 x 667	2 x 21.2	T50B
FAUI 391760	2 x 24	2 x 500	2 x 28.3	T50B

### PHYSICAL CHARACTERISTICS

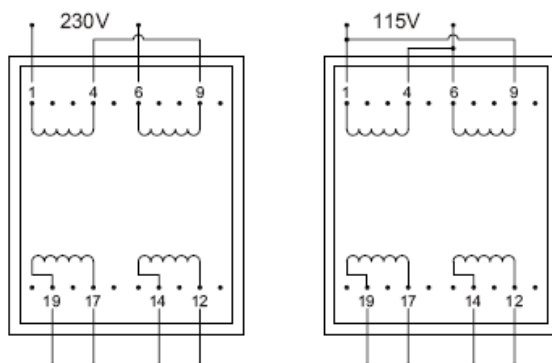


### TECHNICAL INFORMATION

Resin class UL 94 VO  
Fuse protection in secondary winding (see diagram)  
Insulation voltage 4 KV  
100% tested production  
Conform to EN 61558 Approval under process

CIRCUIT	RATING	DIMENSION:A	WEIGHT(g)
FAUI39 8	10VA	A=22mm	285
FAUI39 10.2	14VA	A=24mm	335
FAUI39 13.5	18VA	A=27mm	405
FAUI39 17	24VA	A=31mm	260
FAUI39 21	30VA	A=35mm	550

Possible primary connections



Possible secondary connections

