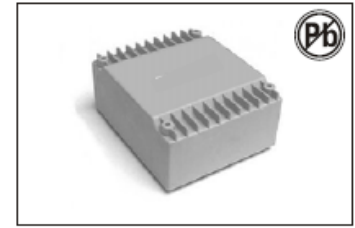


50/60HZ PCB MOUNT TRANSFORMERS - UI RANGE 30VA UI39X21- 3921 SERIES



FEATURES:

115 V-230 V supply voltage by serie/parallel connection
Vacuum filling
Two compartments bobbins
Degree of protection IP 00

OPTIONS:

Bulk packaging is standard
Custom design available

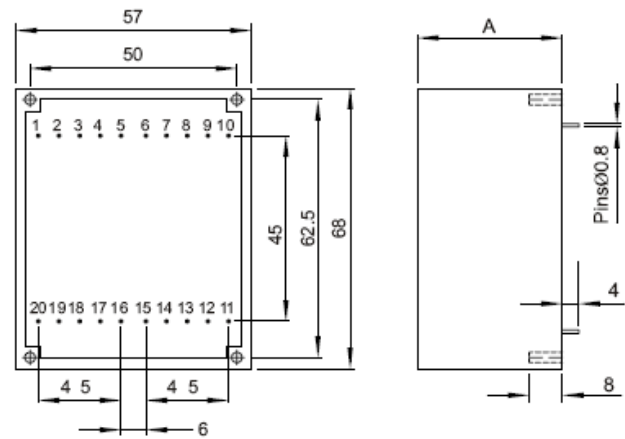
COMMON APPLICATIONS:

Medical equipments Industrial equipments
Industrial controls Test equipment
Industrial computers Avionics & telecom

ELECTRICAL CHARACTERISTICS

PRIMARY VOLTAGE: 115~230				
Part Number	Secondary voltage V	Secondary Current mA	No-load voltage V	Ambient Temperature
FAUI 392161	2 x 6	2 x 2500	2 x 6.7	T50B
FAUI 392162	2 x 9	2 x 1667	2 x 10.15	T50B
FAUI 392163	2 x 12	2 x 1250	2 x 13.5	T50B
FAUI 392164	2 x 15	2 x 1000	2 x 16.8	T50B
FAUI 392165	2 x 18	2 x 883	2 x 20.2	T50B
FAUI 392166	2 x 24	2 x 625	2 x 27.0	T50B

PHYSICAL CHARACTERISTICS



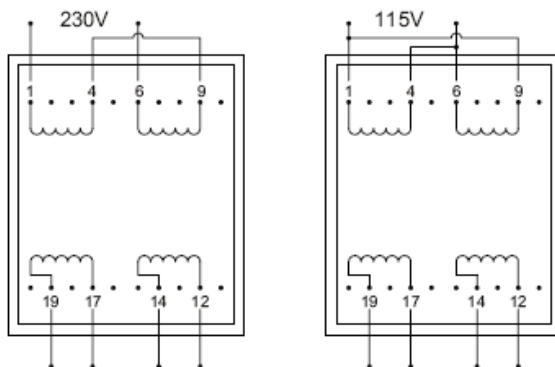
All dimensions in mm

TECHNICAL INFORMATION

Resin class UL 94 VO
Fuse protection in secondary winding (see diagram)
Insulation voltage 4 KV (6 KV MYRRA test)
100% tested production
Conform to EN 61558 Approval under process

CIRCUIT	RATING	DIMENSION:A	WEIGHT(g)
FAUI39 8	10VA	A=22mm	285
FAUI39 10.2	14VA	A=24mm	335
FAUI39 13.5	18VA	A=27mm	405
FAUI39 17	24VA	A=31mm	260
FAUI39 21	30VA	A=35mm	550

Possible primary connections



Possible secondary connections

