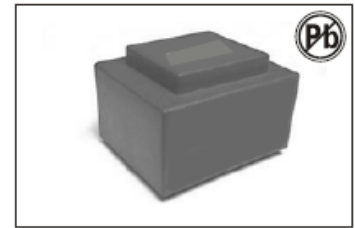


50/60HZ PCB MOUNT TRANSFORMERS - EI RANGE 10VA EI 48-16.8-4816 SERIES



FEATURES:

Vacuum filling
Two compartments bobbins
Self-extinguishing plastics UL 94 VO
Degree of protection IP 00
300 grams weight

OPTIONS:

Bulk packaging is standard
Custom design available

COMMON APPLICATIONS:

Medical equipments Industrial equipments
Industrial controls Test equipment
Industrial computers Avionics & telecom

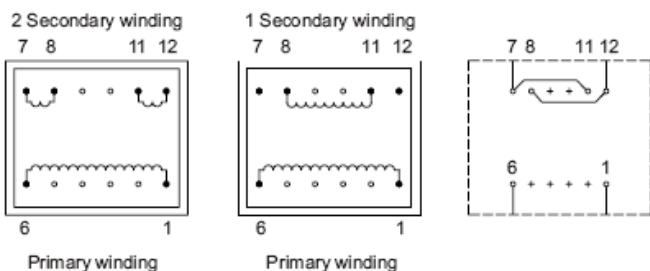
ELECTRICAL CHARACTERISTICS

PRIMARY VOLTAGE: 230						PRIMARY VOLTAGE: 115					
Part Number	Secondary voltage V	Secondary Current mA	No-load voltage V	Ambient Temperature	Rating VA	Part Number	Secondary voltage V	Secondary Current mA	No-load voltage V	Ambient Temperature	Rating VA
FAPE481665	6	1667	7.2	T50B	10	FAPE481677	6	1667	7.2	T50B	10
FAPE481666	9	1111	10.8	T50B	10	FAPE481678	9	1111	10.8	T50B	10
FAPE481667	12	833	14.4	T50B	10	FAPE481679	12	833	14.4	T50B	10
FAPE481668	15	667	18.1	T50B	10	FAPE481680	15	667	18.1	T50B	10
FAPE481669	18	556	21.6	T50B	10	FAPE481681	18	556	21.6	T50B	10
FAPE481670	24	417	28.9	T50B	10	FAPE481682	24	417	28.9	T50B	10
FAPE481671	2 X 6	2 X 833	2 X 7.2	T50B	10	FAPE481683	2 X 6	2 X 833	2 X 7.2	T50B	10
FAPE481672	2 X 9	2 X 556	2 X 10.8	T50B	10	FAPE481684	2 X 9	2 X 556	2 X 10.8	T50B	10
FAPE481673	2 X 12	2 X 417	2 X 14.4	T50B	10	FAPE481685	2 X 12	2 X 417	2 X 14.4	T50B	10
FAPE481674	2 X 15	2 X 333	2 X 18.1	T50B	10	FAPE481686	2 X 15	2 X 333	2 X 18.1	T50B	10
FAPE481675	2 X 18	2 X 278	2 X 21.6	T50B	10	FAPE481687	2 X 18	2 X 278	2 X 21.6	T50B	10
FAPE481676*	2 X 24	2 X 208	2 X 28.9	T50B	10	FAPE481688	2 X 24	2 X 208	2 X 28.9	T50B	10

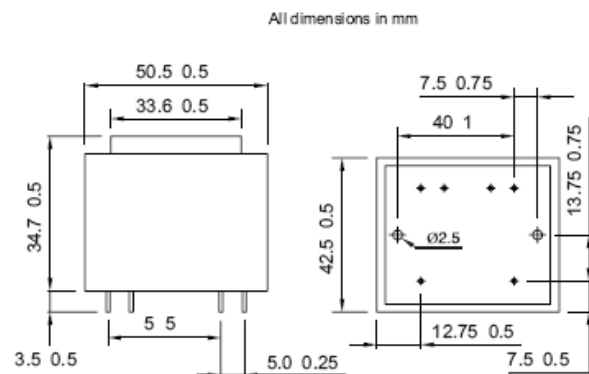
* To be noted : marked transformers are non-approved. Protection transformers according to EN 60742 circFAUIt isolation transformer.

TECHNICAL INFORMATION

Resin class B CEI 85 (20 000 h testing to CEI 126)
Fuse protection on primary side (see diagram) to be assumed by customer
30 V and 36 V models are VDE EN 60742 certified (production on request)
Insulation voltage 4 KV
100% tested production
Certification : CCA procedure on request



PHYSICAL CHARACTERISTICS



Recommended Drill-hole Diameter for 1.3mm pins
Recommended Drill-hole Diameter for Mountings=4mm