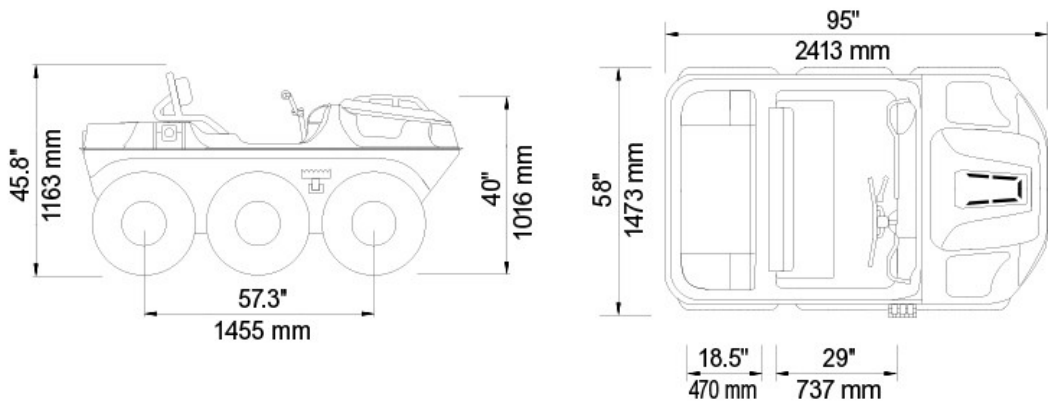


Frontier 6x6 Specs

Engine	Briggs & Stratton
Engine Warranty	3 Year
Type	4 cycle OHV gasoline-powered engine features electronic fuel injection (EFI), full pressure lubrication and V-twin cylinders
Horsepower*	23
Displacement	694cc
Cooling	Air cooled
Service Brakes	Mechanical
Steering Brakes	Hydraulic
Brake Cooling Fan	Optional
Steering	One-piece ergonomic handlebar steering control with mounted brake lever. For safety and ease of handling, the ARGO steering transmission provides continuous torque to all axles.
Controls	Right-hand twist grip throttle. Light switch and ignition switch.
Clutch	Belt-driven, Continuously Variable Transmission (CVT) maximizes engine power to the transmission.
Transmission	CLASSIC with High and Low range; Forward, Neutral, Reverse.
Transmission Options	STD
Drive System	Chains drive machined sprockets. 1 1/4" diameter axles with triple sealed greaseable outer bearings.
Final Drive	RC60 roller chain drive to all 6 axles
HD Drive Belt	Optional
Frame	Formed steel channel construction, welded for high strength and durability. Polyester powder coated for lasting protection.
Body	Vacuum formed High Molecular Weight Polyethylene
Full Skid Plate	Optional

Brushguard	Optional
Winch	Optional
Bilge Pump	Optional
Load Capacity - On Land	670 lb. / 304 kg total
Load Capacity - Rear Compartment	140 lb. / 64 kg max.
Load Capacity - On Water	470 lb. / 213 kg total
Towing Capacity	1200 lb. / 544 kg
Seating Capacity	4 persons on land, 2 persons on water
Fuel Capacity	7.1 US Gallons (27 litres) See through polyethylene fuel tank. 8 hours of operation.
Speed (on land)	22 mph / 35 km per hour
Speed (on water)	3 mph / 5 km per hour
Shipping Weight	880 lb. / 399 kg
Axle Bearing Extensions	Optional
Instrumentation	LCD Digital Gauge Cluster, Speedometer, Odometer, Voltmeter, Hour Meter, Tachometer, Low Oil Pressure and Parking Brake Reminder Lights, Check Engine Light
Entry Step	Optional
Tires	ARGO AT189 24 x 10.00-8NHS
Ground Pressure	2.5 psi (17.2 kPa) using tires
Ground Clearance Tires	9.5 inches - 240 mm
Ground Clearance	10.5 inches - 265 mm

Tracks	
Operating Conditions	All weather,all-terrain,-40°C to +40°C
Dimensions	 <p>The image contains two technical drawings of a tracked vehicle. The left drawing is a side profile view showing a three-wheeled chassis with a track system. Dimensions include a height of 45.8" (1163 mm) from the ground to the top of the chassis, a wheel spacing of 57.3" (1455 mm), and a track height of 40" (1016 mm). The right drawing is a top-down view showing the layout of the tracks and the operator's compartment. Dimensions include a total width of 95" (2413 mm), a track width of 58" (1473 mm), and two track spacing dimensions of 18.5" (470 mm) and 29" (737 mm).</p>