

Seal data sheet

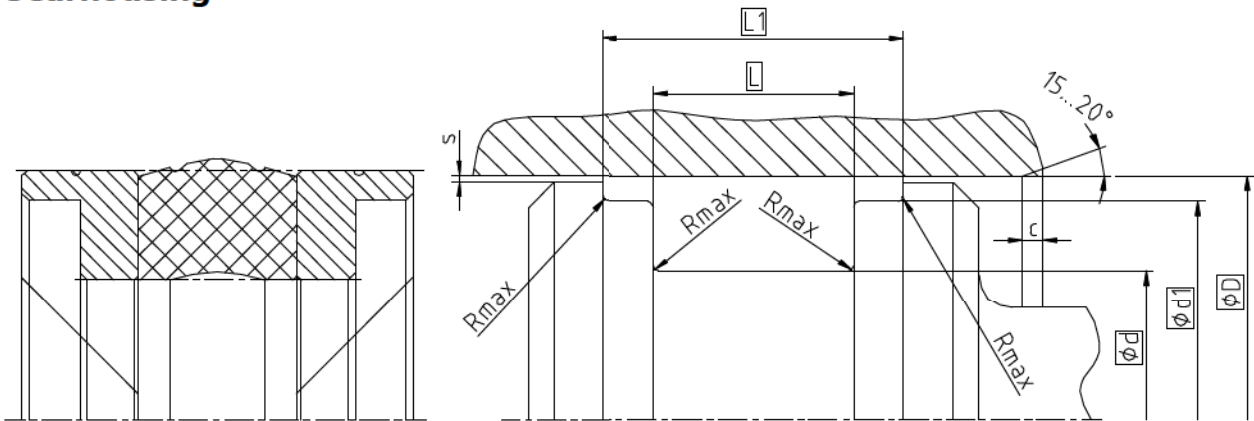
Piston seals

Seal housing

K17-R



2008-09



Surface roughness	Rtmax	Ra
Sliding Surface	≤ 2,5 µm	0,1...0,5 µm
Bottom of groove	≤ 6,3 µm	≤ 1,6 µm
Groove face	≤ 15 µm	≤ 3 µm

Ordering dimensions... □

Bearing area: 50...95% and a cutting depth of 0,5xRz based on Cref = 0%

Standard dimensions

ØD H9	Ød h9	Ød1 h8	L +0,2	L1	Rmax	c	s*
≥ 13 ... < 40	D - 8	D - 3	10	18	0,4	4	0,39
≥ 40 ... < 80	D - 10	D - 3	10	18	0,4	4	0,39
≥ 80 ... < 120	D - 15	D - 4	15	23	0,4	5	0,52
≥ 120 ... < 200	D - 20	D - 5	20	33	0,4	6	0,65
≥ 200 ... < 400	D - 25	D - 6	25	39	0,4	8,5	0,78
≥ 400 ... < 600	D - 30	D - 8	30	44	0,4	10	1,00

* Extrusion gap applies to a temperature of 70 °C, higher temperatures require lower values.

Operating parameters

Sealing material	Backup ring	Temperature	max. speed	max. pressure ¹
SKF ECORUBBER-1	SKF ECOTAL	-30 °C...+100 °C	0,5 m/s	250 bar (25 MPa)
SKF ECORUBBER-H	SKF ECOMID ²	-25 °C...+100 °C		
SKF ECORUBBER-2	SKF ECOPA EK	-20 °C...+200 °C		
SKF ECORUBBER-H	SKF ECOFLON 2	-25 °C...+150 °C		

The stated operation conditions represent general indications. It is recommended not to use all maximum values simultaneously. Surface speed limits apply only to the presence of adequate lubrication film.

¹ Pressure ratings depend on the size of the extrusion gap.

² ≤ Ø260mm: SKF ECOTAL ; > Ø260mm: SKF ECOMID

Ordering example

K17-R, D=100mm, d=85mm, d1=96, L=15mm, L1=23mm, SKF ECORUBBER-1 / SKF ECOTAL

Piston Seal K17-R
Profile

100 x 85/96 x 15/23
D x d/d1 x L/L1

SKF ECORUBBER-1 / SKF ECOTAL
Sealing material / Backup ring