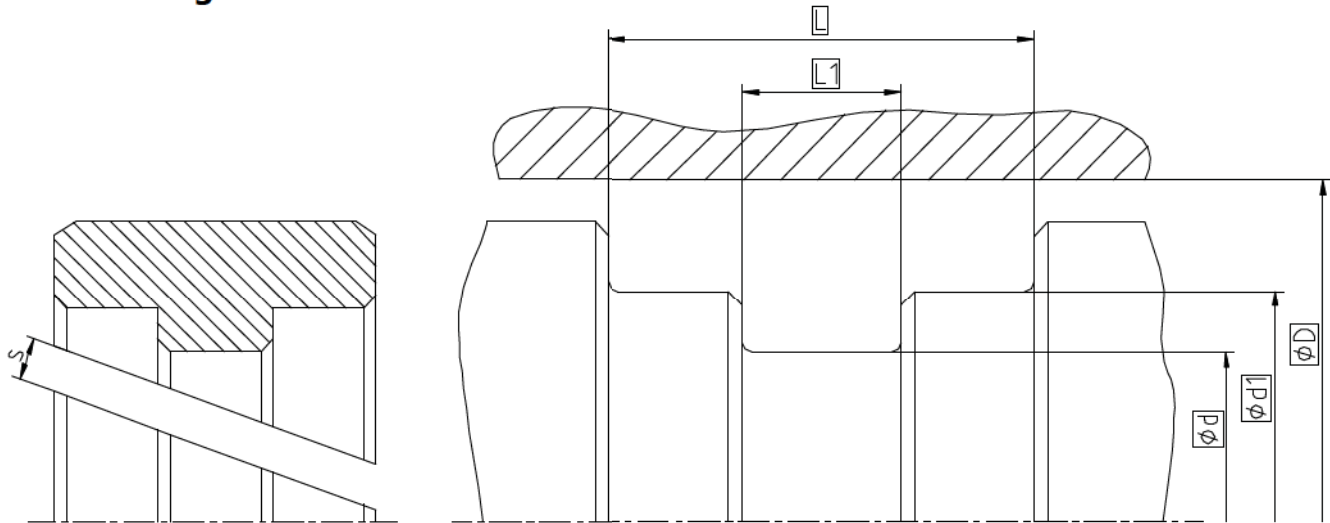


Seal housing



| Sealing material | PU/Elastomers | | PTFE | |
|------------------|---------------|--------------|----------|---------------|
| | Rtmax | Ra | Rtmax | Ra |
| Sliding Surface | ≤ 2,5 µm | 0,1...0,5 µm | ≤ 2 µm | 0,05...0,3 µm |
| Bottom of groove | ≤ 6,3 µm | ≤ 1,6 µm | ≤ 6,3 µm | ≤ 1,6 µm |
| Groove face | ≤ 15 µm | ≤ 3 µm | ≤ 15 µm | ≤ 3 µm |

Ordering dimensions...□

Bearing area: 50...95% and a cutting depth of 0,5xRz based on Cref = 0%

Standard dimensions

| ØD H9 | Ød h10 | Ød1 h8 | Ød2 | L +0,2 | L1 +0,2 |
|-----------------|---------|---------|----------|--------|---------|
| ≥ 28 ... ≤ 36 | D - 6 | D - 2,8 | D - 0,35 | 8,5 | 3 |
| > 36 ... ≤ 60 | D - 7,5 | D - 3,2 | D - 0,4 | 10,5 | 3,5 |
| > 60 ... ≤ 90 | D - 9 | D - 3,5 | D - 0,5 | 15 | 5 |
| > 90 ... ≤ 150 | | | D - 0,6 | | |
| > 150 ... ≤ 200 | D - 16 | D - 7,1 | D - 0,7 | 20,3 | 8 |
| > 200 | D - 17 | D - 7,5 | D - 0,8 | 25 | |

* cutting gap s : values depend on material and temperature. For detailed information please refer to the profile description.

Operating parameters

| Guiding material | Temperature | max. speed | Specific load ² |
|---------------------|-------------------------|--------------|----------------------------|
| SKF ECOFLON 2 | -200 °C...+200 °C | 4 m/s | 3,0 N/mm ² |
| SKF ECOFLON 3 | -200 °C...+200 °C | 5 m/s | 4,5 N/mm ² |
| SKF ECOFLON 60% Bz. | -200 °C...+200 °C | 5 m/s | 7,5 N/mm ² |
| SKF ECOTAL | -50 °C...+100 °C | 4 m/s | 25 N/mm² |
| SKF ECOMID | -40 °C...+100 °C | 4 m/s | 25 N/mm ² |
| SKF ECOTEX | -40 °C...+130 °C | 4 m/s | 90 N/mm ² |

The stated operation conditions represent general indications. It is recommended not to use all maximum values simultaneously. Surface speed limits apply only to the presence of adequate lubrication film.

¹ ≤ Ø260mm: SKF ECOTAL ; > Ø260mm: SKF ECOMID

² Depending on temperature and allowed compression. Detailed information see profile description.

Ordering example

F05, D=100mm, d=91mm, d1=96,5mm, L=15mm, L1=5mm, SKF ECOTAL

Guide Ring F05
Profile

100 x 91/96,5 x 15/5
D x d/d1 x L/L1

SKF ECOTAL
Guiding material