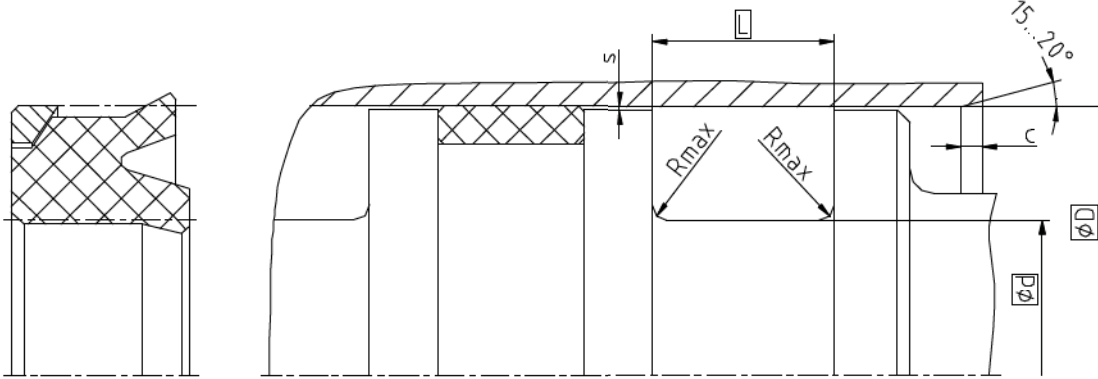


Piston seals

Seal housing



Surface roughness	Rtmax	Ra
Sliding Surface	≤ 2,5 μm	0,1...0,5 μm
Bottom of groove	≤ 6,3 μm	≤ 1,6 μm
Groove face	≤ 15 μm	≤ 3 μm

Ordering dimensions...□

Bearing area: 50...95% and a cutting depth of 0,5xRz based on Cref = 0%

Standard dimensions

ØD H9	Ød h10	L +0,2	Rmax	c	max. radial extrusion gap s*		
					20 bar	100 bar	250 bar
≥ 13 ... ≤ 25	D - 8	6,0	0,4	3,5	0,80	0,80	0,52
> 25 ... ≤ 50	D - 10	7,0	0,4	4,0	1,00	1,00	0,66
> 50 ... ≤ 75	D - 12	8,0	0,4	4,5	1,25	1,20	0,72
> 75 ... ≤ 150	D - 15	10,0	0,4	5,0	1,50	1,40	0,78
> 150 ... ≤ 300	D - 20	12,0	0,4	6,0	2,00	1,66	0,88
> 300 ... ≤ 500	D - 25	18,0	0,4	8,5	2,50	1,91	1,00
> 500 ... ≤ 750	D - 30	20,0	0,4	10,0	3,00	2,18	1,13
> 750	D - 40	26,0	0,4	13,0	3,00	2,18	1,13

* Extrusion gap applies to a temperature of 70 °C, higher temperatures require lower values.

Operating parameters

Sealing material	Backup ring	Temperature	max. speed	max. pressure ¹
SKF ECORUBBER-1	SKF ECOTAL SKF ECOMID ²	-30 °C...+100 °C	0,5 m/s	250 bar (25 MPa)
SKF ECORUBBER-2	SKF ECOFLON 2	-20 °C...+200 °C		
SKF ECORUBBER-3	SKF ECOTAL SKF ECOMID ²	-40 °C...+100 °C		
	SKF ECOFLON 2	-50 °C...+150 °C		
SKF ECORUBBER-H	SKF ECOTAL SKF ECOMID ²	-25 °C...+100 °C		
	SKF ECOFLON 2	-25 °C...+150 °C		
SKF ECOFLAS	SKF ECOPA EK	-10 °C...+200 °C		

The stated operation conditions represent general indications. It is recommended not to use all maximum values simultaneously. Surface speed limits apply only to the presence of adequate lubrication film.

¹ Pressure ratings depend on the size of the extrusion gap.

² ≤ Ø260mm: SKF ECOTAL ; > Ø260mm: SKF ECOMID

Ordering examples

K02-RD, D=100mm, d=85mm, L=10mm, SKF ECORUBBER-1 / SKF ECOTAL

Piston Seal K02-RD
Profile

100 x 85 x 10
D x d x L

SKF ECORUBBER-1 / SKF ECOTAL
Sealing material / Backup ring