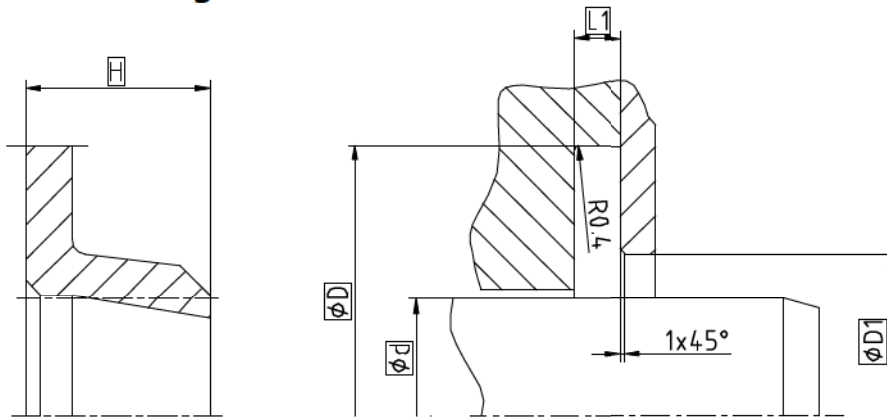


Seal housing



Surface roughness	Rtmax	Ra
Sliding Surface	≤ 2,5 µm	0,1...0,5 µm
Bottom of groove	≤ 6,3 µm	≤ 1,6 µm
Groove face	≤ 15 µm	≤ 3 µm

Ordering dimensions...□

Bearing area: 50...95% and a cutting depth of 0,5xRz based on Cref = 0%

Standard dimensions

minimum nominal inside diameter $\varnothing d \geq 6\text{mm}$

This is not a standard profile and serves as a replacement for an existing installation space. New constructions should use standard profiles.

Operating parameters

Sealing material	Temperature	max. speed
ECOPUR®	-30 °C...+110 °C	4 m/s
H-ECOPUR™	-20 °C...+110 °C	
S-ECOPUR™	-20 °C...+110 °C	5 m/s
T-ECOPUR™	-50 °C...+110 °C	4 m/s
X-ECOPUR™	-30 °C...+110 °C	4 m/s
XH-ECOPUR™	-20 °C...+110 °C	
XS-ECOPUR™	-20 °C...+110 °C	5 m/s
SKF ECORUBBER-1	-30 °C...+100 °C	4 m/s
SKF ECORUBBER-2	-20 °C...+200 °C	
SKF ECORUBBER-3	-50 °C...+150 °C	
SKF ECORUBBER-H	-25 °C...+150 °C	
SKF ECOFLAS	-10 °C...+200 °C	

The stated operation conditions represent general indications. It is recommended not to use all maximum values simultaneously. Surface speed limits apply only to the presence of adequate lubrication film.

Ordering example

A08-A, d=50mm, D=70mm, D1=56mm, L1=3mm, H=12mm, ECOPUR®

Wiper A08-A
Profile

50 x 70/56 x 3/12
d x D/D1 x L1/H

ECOPUR®
Sealing material