

Seal data sheet

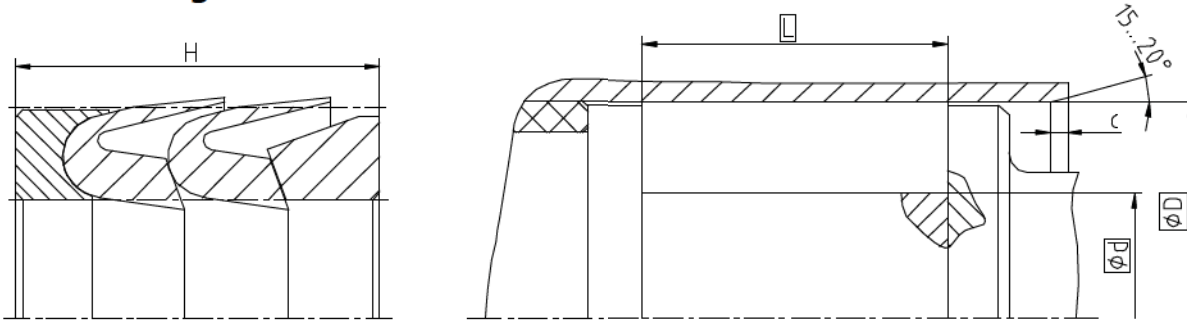
Piston seals

K32-P



2008-09

Seal housing



Surface roughness	Rtmax	Ra
Sliding Surface	≤ 2,5 μm	0,1...0,5 μm
Bottom of groove	≤ 6,3 μm	≤ 1,6 μm
Groove face	≤ 15 μm	≤ 3 μm

Ordering dimensions...□

Bearing area: 50...95% and a cutting depth of 0,5xRz based on Cref = 0%

Standard dimensions

∅D H9	∅d h10	L +0,2	Rmax	c	s*
- < 24	D - 12	24	0,4	4,5	0,6
≥ 25 ... < 44	D - 15	29		5	0,38
≥ 44 ... < 100	D - 20	38		6	0,50
≥ 100 ... < 150	D - 25	47,5		8,5	0,63
≥ 150 ... < 250	D - 30 / 35	57		10	0,75 / 0,88
> 250 ... < 500	D - 40 / 45	76		13	1,00 / 1,13
> 500	D - 50	95		16	1,25

* Extrusion gap applies to a temperature of 70 °C, higher temperatures require lower values.

Operating parameters

Pressure ring	Chevron	Backup ring	Temperature	max. speed	max. pressure ¹
SKF ECOTAL SKF ECOMID ²	ECOPUR [®]	SKF ECOTAL SKF ECOMID ²	-30 °C...+100 °C	0,5 m/s	500 bar (50 Mpa)
	H-ECOPUR [™]		-20 °C...+100 °C		
	S-ECOPUR [™]		-20 °C...+100 °C	0,7 m/s	
	T-ECOPUR [™]		-40 °C...+100 °C	0,5 m/s	
	G-ECOPUR [™]		-30 °C...+100 °C		
SKF ECOTAL SKF ECOMID ²	ECOPUR	X-ECOPUR [™]	-30 °C...+110 °C	0,5 m/s	500 bar (50 Mpa)
	H-ECOPUR [™]	XH-ECOPUR [™]	-20 °C...+110 °C		
	S-ECOPUR [™]	XS-ECOPUR [™]	-20 °C...+110 °C	0,7 m/s	
	G-ECOPUR [™]	G-ECOPUR 54D [™]	-30 °C...+110 °C	0,5 m/s	

The stated operation conditions represent general indications. It is recommended not to use all maximum values simultaneously. Surface speed limits apply only to the presence of adequate lubrication film.

¹ Pressure ratings depend on the size of the extrusion gap.

² ≤ ∅260mm: SKF ECOTAL ; > ∅260mm: SKF ECOMID

Ordering example

K32-P, D=100mm, d=75mm, L=47,5mm, SKF ECOTAL / ECOPUR[®] / X-ECOPUR

Piston Seal K32-P
Profile

100 x 75 x 47,5
D x d x L

SKF ECOTAL / ECOPUR[®] / X-ECOPUR
Pressure ring / Chevron / Backup ring

ECONOMOS

The contents of this data sheet remain the property of SKF Economos GmbH. Duplication, whole or in parts, only upon prior approval. SKF Economos GmbH is unable to guarantee and/or take any responsibility, obligation or liability whatsoever in connection with this information.