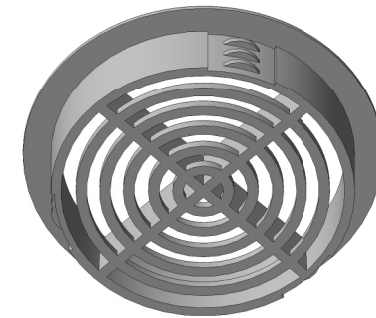
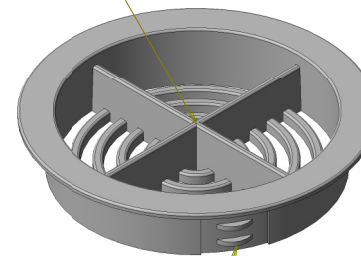


Feed point this face



Gripper ribs at 120 Deg. around circumference

File location: CAD files on PlasmotecOI/ Original/ Plasmotec / PLA0590 - 70mm Soffit Vent

"This drawing represents our interpretation of your instructions and all sizes and tolerances should be carefully checked. We assume that the profile is an original design owned by you, and we shall accordingly produce it in good faith. Should the profile infringe any patent, registered design or copyright owned by a third party, we shall assume that we are indemnified by you against all loss we may suffer arising from any claims by that third party. Your signature indicates acceptance of the drawing, and that our assumption is correct"

All dimensions in millimeters

Tolerance unless stated to be the larger of:  
 whole numbers (0) +/- 0.5 or 0.5%  
 one decimal place (0.0) +/- 0.25 or 0.25%  
 two decimal places (0.00) +/- 0.12 or 0.12%

**PLASMOTEC LTD**

**70mm Soffit Vent**

Generic Matl. **Polypropylene**

Drwn By **Andy**

Ch'd by

ISS

DATE

I

24/10/01

**Original**

REVISIONS

24/10/01

DATE

24/10/01

DRG.No

**PLA0590A**